

EBS-S500W

BOX PC, Fanless, For 3.5" SBC, Intel® Core™ Ultra Processor, DDR5, DP, HDMI, USB-C, Dual-LAN, Multiple COM, 9-36V DC-in put

Features

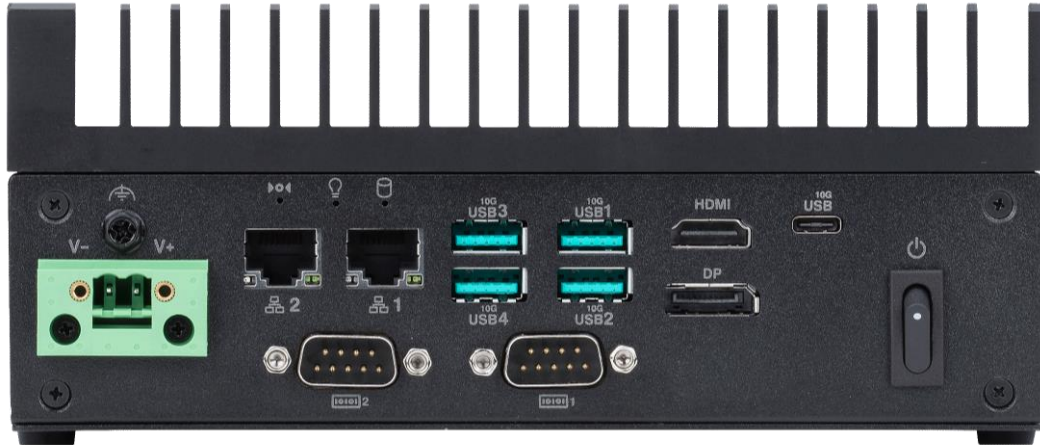
- Provides rich I/O and expansion capabilities, including 4*USB3.2, 2*USB2.0, 1*USB-C and 4*COM ports
- Equipped with three M.2 slots for LTE/5G/WiFi 6E/BT 5.2 connectivity
- Wide range of power inputs (9~36V) and operating temperatures (-20°~60°)



Specifications

	CPU	Intel® Core™ Ultra 7 processor 165U vPro supported	Intel® Core™ Ultra 5 processor 135U vPro supported
System	TDP	15W	15W
	# of Cores	12	12
	Base Freq.	1.7 GHz	1.6 GHz
	Max Turbo Freq.	4.9 GHz	4.4 GHz
	Technology	DDR5 5600 MHz	
Memory	Max.	64GB	
	Socket	2 x SO-DIMM	
	Display Port	1 x HDMI 2 .0, supports up to 4096 x 2160 @ 60 Hz 1 x DP1.4, supports up to 5120 x 3200 @ 60 Hz	
External Interfaces	Ethernet	1 x 1 GbE, RJ45 (LAN1: Intel® i219-LM) 1 x 2.5 GbE, RJ45 (LAN2: Intel® i226-IT)	
	USB	4 x USB 3.2 Gen2, type A 2 x USB 2.0, type A 1 x USB-C (USB3.2, DP 1.4 Alt. Mode)	
	Audio	1 x Mic-in, phone jack 1 x Line-out, phone jack	
	COM	4 x COM: RS-232/422/485	
	Storage	SATA 1 x SATA Gen 3.0 connector supports 2.5" SSD	
	Expansion Slot	M.2 B key	1 x M.2 3042/3052 B key (USB 2.0/ PCIe x1) supports LTE/5G module
M.2 E key		1 x M.2 2230 E key socket (USB 2.0/ PCIe x1/ CNVi) supports WiFi/BT module	
M.2 M key		1 x M.2 2280 M key socket (PCIe x4) supports M.2 SSD	
SIM		1 x Nano-SIM slot (on-board)	
Power	Power	9 to 36V DC	
Mechanical	Mounting	Wall mount/ VESA mount/Din Rail (optional)	
	Dimensions	186 x 135 x 82(mm)	
	Weight	1.88 kg	
Security	TPM	TPM-SPI-A powered by Infineon SLB9672 (optional)	
System	OS	Windows 10 IoT Enterprise LTSC / Windows 11 IoT Enterprise LTSC/ Ubuntu	
	Watchdog Timer	Yes	
Environment	Operating Temp.	-20~60°	
	Storage Temp.	-40~85°C	
	Relative Humidity	10 to 95% (non-condensing)	
Certification	EMC	CE (ITE), FCC ,VCCI, BSMI	
	Safety	CB, CE-LVD, BSMI	
	Green	GA (RoHS)	

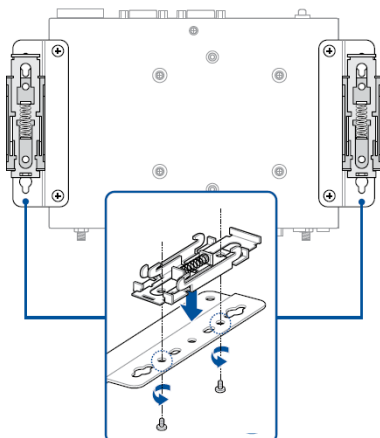
Front I/O



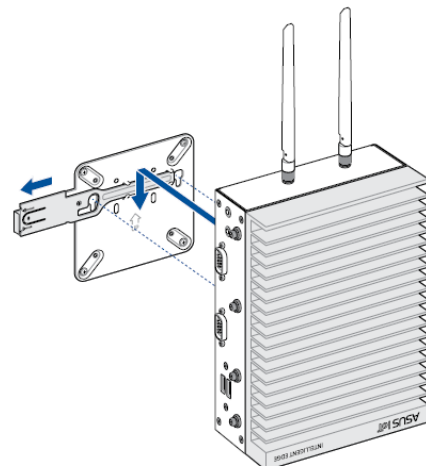
Rear I/O



Wall Mount + Din Rail



VESA Mount



Order Information

Model name	Part number	Description
EBS-S500W	90AE01P	SoC Core™ Ultra 7 processor 165U Core™ Ultra 5 processor 135U

* The part number might vary for different regulations and package. Please consult the TPM in your region for exact 90PN.

Optional Items

Item	Description
Adapter	ADP 150W 19V Phoenix
Power Cord	Power Cord 180cm with TW, US, EU, CN, JP, AU, UK, KR
SATA Cable	SATA 22P TO SATA 7P+4P 15+12CM
SSD Screw Pack	SSD Screw Pack
Wall Mount	EBS fanless series Wall Mount Bracket (1 set)
Wall Mount + Din Rail + Screw Pack	EBS fanless series Wall Mount Bracket (1 set) + Din Rail Clip (1 set) + Screw Pack
VESA Mount + Screw Pack	EBS fanless series VESA Mount Plate + Screw Pack
WiFi Module + Antenna	WiFi6E AX+BT5.2 M.2 2230 (WMX7205) + Antenna (1 set)
LTE Module + Antenna	LTE M.2 MODULE CAT4 + Antenna (1 set)