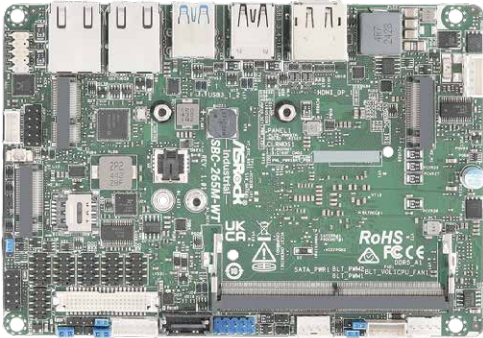


SBC-265M-WT

3.5" SBC Motherboard

KEY FEATURES



- Intel® Amston Lake Processors
- 1 x 262-pin SO-DIMM DDR5 4800 MHz, up to 48GB
- 3 x USB 3.2 Gen2, 3 x USB 2.0, 1 x M.2 Key E, 1 x M.2 Key M, 1 x M.2 Key B, 6 x COM, 1 x SATA3
- 2 x Intel 1 Gigabit LAN
- Supports Triple display, 1 x HDMI 2.0b, 1 x DP 1.4b, 1 x LVDS or eDP
- 9~36V DC-In

SPECIFICATIONS

Form Factor

Dimensions	3.5" SBC (5.8-in x 4-in x 1.02-in, 14.7 cm x 10.2 cm x 2.60 cm)
------------	---

Processor System

CPU	Intel® Amston Lake Processors X7433RE, QC, Max Speed Up to 3.4GHz, 9W
BIOS	AMI SPI 256 Mbit

Memory

Technology	Single Channel DDR5 4800 MHz
Capacity	48GB
Socket	1 x 262-pin SO-DIMM

Graphics

Controller	Intel® UHD Graphics
HDMI	HDMI 2.0b Max resolution up to 4096 x 2160@60Hz
DisplayPort	DP 1.4b Max resolution up to 4096 x 2160@60Hz
LVDS	Dual channel 24 bit up to 1920 x 1200@60Hz (Connector shared with eDP)
eDP	Max resolution up to 1920 x 1080@60Hz (Connector shared with LVDS)
MultiDisplay	Triple display

Expansion Slot

M.2	1 x M.2 (Key E, 2230) with PCIe Gen3 x1, USB 2.0 1 x M.2 (Key B, 3042/3052) with PCIe Gen3 x1, USB 2.0 and SIM for 4G/5G
SIM Socket	1 x SIM socket connected to M.2 key B

Audio

Interface	Realtek ALC256 HD, High Definition Audio.
-----------	---

Ethernet

Controller/ Speed	LAN1: Intel® I210IT with 10/100/1000 Mbps LAN2: Intel® I210IT with 10/100/1000 Mbps
Connector	2 x RJ-45

Rear I/O

HDMI	1 x HDMI 2.0b
DisplayPort	1 x DP 1.4b
Ethernet	2 x 1 Gigabit LAN
USB	3 x USB 3.2 Gen2 1 x USB 2.0

Internal Connector

USB	2 x USB 2.0 (1 x 2.54 pitch header)
COM	COM2, COM3, COM4, COM5, COM6 (RS-232) COM1 (RS-232/422/485)
GPIO	4 x GPI, 4 x GPO
LVDS	1 (Connector with LVDS/eDP signal, switch by BIOS)
SATA PWR Output	1
Speaker Header	1

Storage

M.2	1 x M.2 (Key M, 2242/2280) with PCIe Gen3 x1 and SATA3 for SSD
SATA	1 x SATA3 (6Gb/s)

Security

TPM	Intel® PTT
-----	------------

Watchdog Timer

Output	From Super I/O to drag RESETCON#
Interval	256 Segments, 0, 1, 2, ...255sec

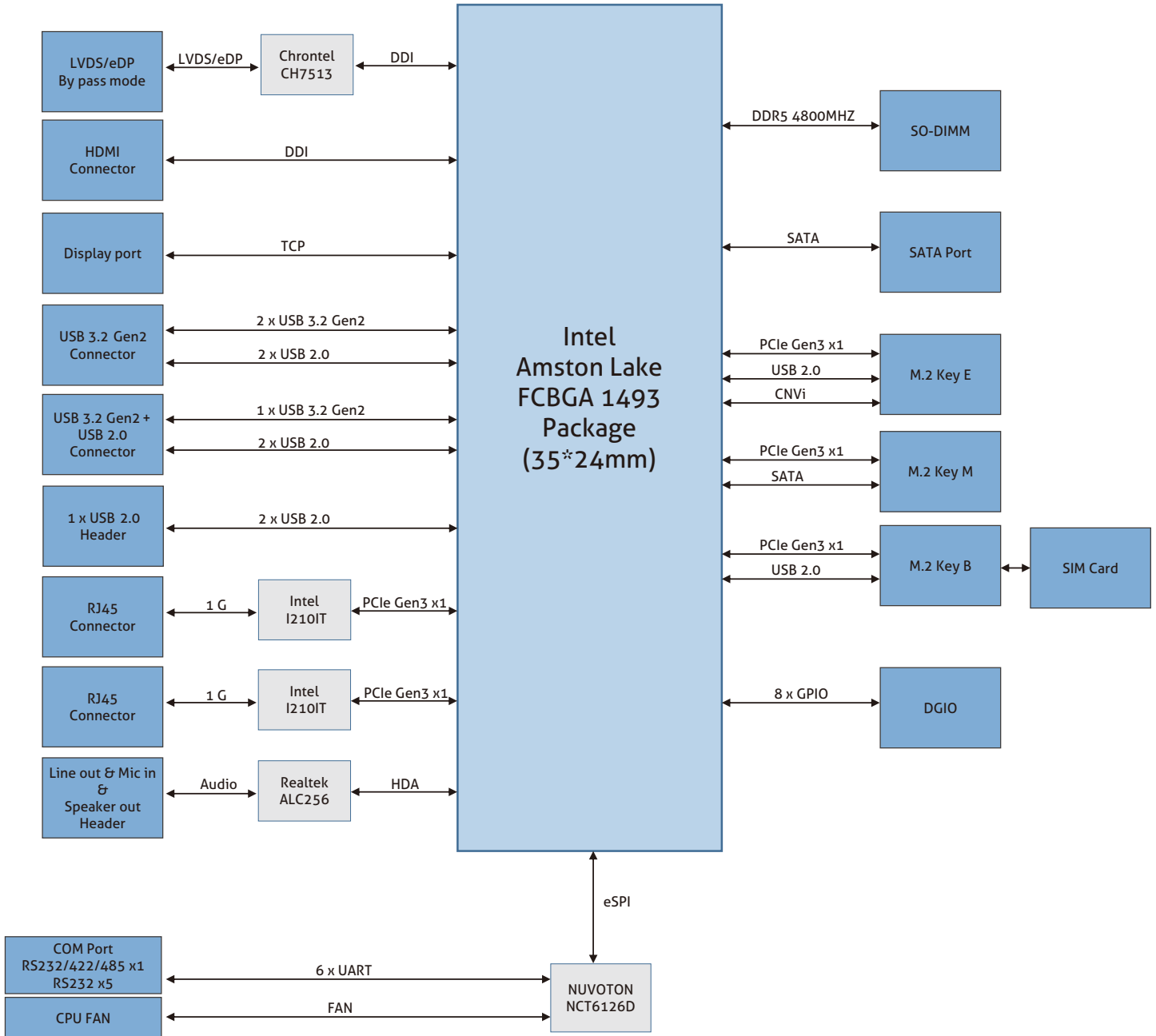
Power Requirements

Input PWR	9~36V DC-In 12V DC-In only (BOM option)
Power On	AT/ATX Supported - AT : Directly PWR on as power input ready - ATX : Press button to PWR on after power input ready

Environment

Operating Temp	-40°C ~ 85°C
Storage Temp	-40°C ~ 85°C
Operating Humidity	5% ~ 90%
Storage Humidity	5% ~ 90%

BLOCK DIAGRAM



ORDERING INFORMATION

Ordering Information

Model	SBC-265M-WT
CPU	X7433RE
HDMI	1
DP	1
LVDS/eDP	1/ (1)
1 Gbe LAN	2
COM	6
USB 3.2	3
USB 2.0	3
SATA III	1
M.2 E-Key	1
M.2 B-Key	1
M.2 M-Key	1
TPM	FW TPM

Packing List (Gift)

Description	Quantity
Heat Sink	1
SATA Power Cable	1
COM Cable	2
SATA Data Cable	1
DC-in Cable	1
SCREW M3*2.5	3
MINI JUMPER 2.0mm	1

Packing List (Bulk)

Description	Quantity
SCREW M3*2.5	3
MINI JUMPER 2.0mm	1

I/O View

