

Fanless Wide Screen

Industrial Panel PC with Intel® 8th Gen

**P2407D-MT, P2207D-MT, P1907D-MT,
P1707D-MT, P1507D-MT, P1207D-MT,
P1007D-MT**



Specifications

System	
CPU	Intel Pentium N4200E Intel Core i3-8145UE Intel Core i5-8365UE
Memory	1 x DDR4L SO-DIMM Socket, supporting 2400 MHz SDRAM up to 16GB
LAN	1 x Intel® I211AT 1x 219V GbE controllers
Watchdog Timer	1~255 levels reset
Storage	
1st Device	2 x 2.5" drive bay, Raid 0,1,5
2nd Device	SATA, M.2 M, M.2 E, mPCIe
Audio	
Speaker	No
LCD Display	
Size/Type	Please see the following pages
Max. Resolution	1920 x 1080, FHD
Max. Colors	16.2M
Luminance	300 cd/m ²
Touch Screen	Projected capacitive touch panel, 10 points Multi
View Angle (U/D/R/L)	80°/80°/85°/85°
Power System	
Power Input	DC 12~24V
Certification	
EMC / EMI	Meet CE, FCC Class A
Expansion	
Expansion Bus	1 x micro SD Card
External I/O	
Serial Ports	2 x COMs (4 x COMs optional)
USB Ports	4 x Type-A USB 3.1 Gen.2 4x USB 2.0 port (Internal)
LAN	2 x RJ-45 GbE ports
Graphics	1 x HDMI / DP connector
WiFi	optional
Mechanical	
Mounting Type	Panel Mounting and VESA-100 Mounting
Chassis	Panel-mounting chassis, aluminum front bezel and SECC steel chassis
Dimension (W x D x H)	Please see the following pages
Weight (Net)	7 - 9 kg

Features

- with the 8th Gen. Intel Whisky Lake-U CPU
- 1920 x 1080 FHD LCD Display w/ LED Backlight
- Flat panel with projected capacitive touchscreen, 10 points Multi
- Front panel compliant with IP65
- Anti-scratch surface: 7H hardness
- Serial Ports (RS-232/422/485), w/ Auto-flow Control
- Mini PCIe expansion slot support
- Fanless cooling system
- Low power consumption
- 12~24V Wide-Range DC Input
- TPM 2.0 Header

Environmental	
Operating Temp.	-20oC ~ 60oC (Memory + SSD optional)
Storage Temp.	-30oC ~ 70°C (-22°F ~ 158°F)
Operating Humidity	10 ~ 95% RH @ 60°C (non-condensing)
Vibration	5 ~ 500Hz, 2Grms Random (with CFast/SSD)
Shock	Operating 10G, 11ms Non-operating 30G, 11ms (with CFast/SSD)

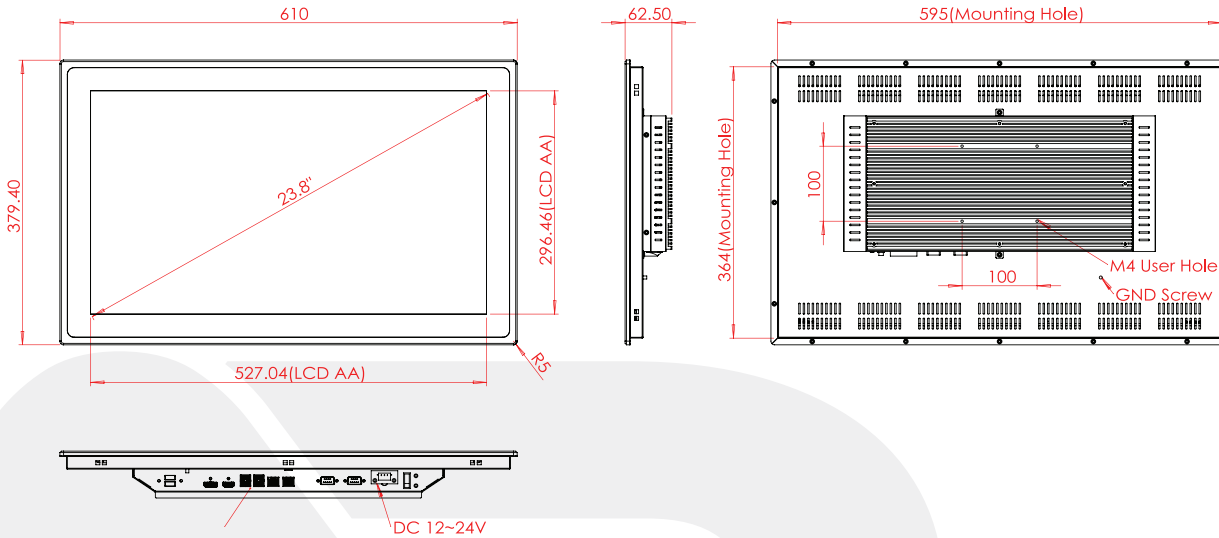
OS Support	
W 10 / Win 10 IOT Enterprise Linux Kernal 4.x, Ubuntu 16.04, Fedora 25+	

P2407D-MT 23.8" TFT LCD Panel

Dimension (W x D x H)
610 x 62.5 x 379.4 mm,
596 x 364 mm (Cut Size)

Order Information

P2407D-MT-P	23.8" Panel PC w. Intel Pentium N4200E
P2407D-MT-3	23.8" Panel PC w. Intel Core i3-8145UE
P2407D-MT-5	23.8" Panel PC w. Intel Core i5-8365UEU

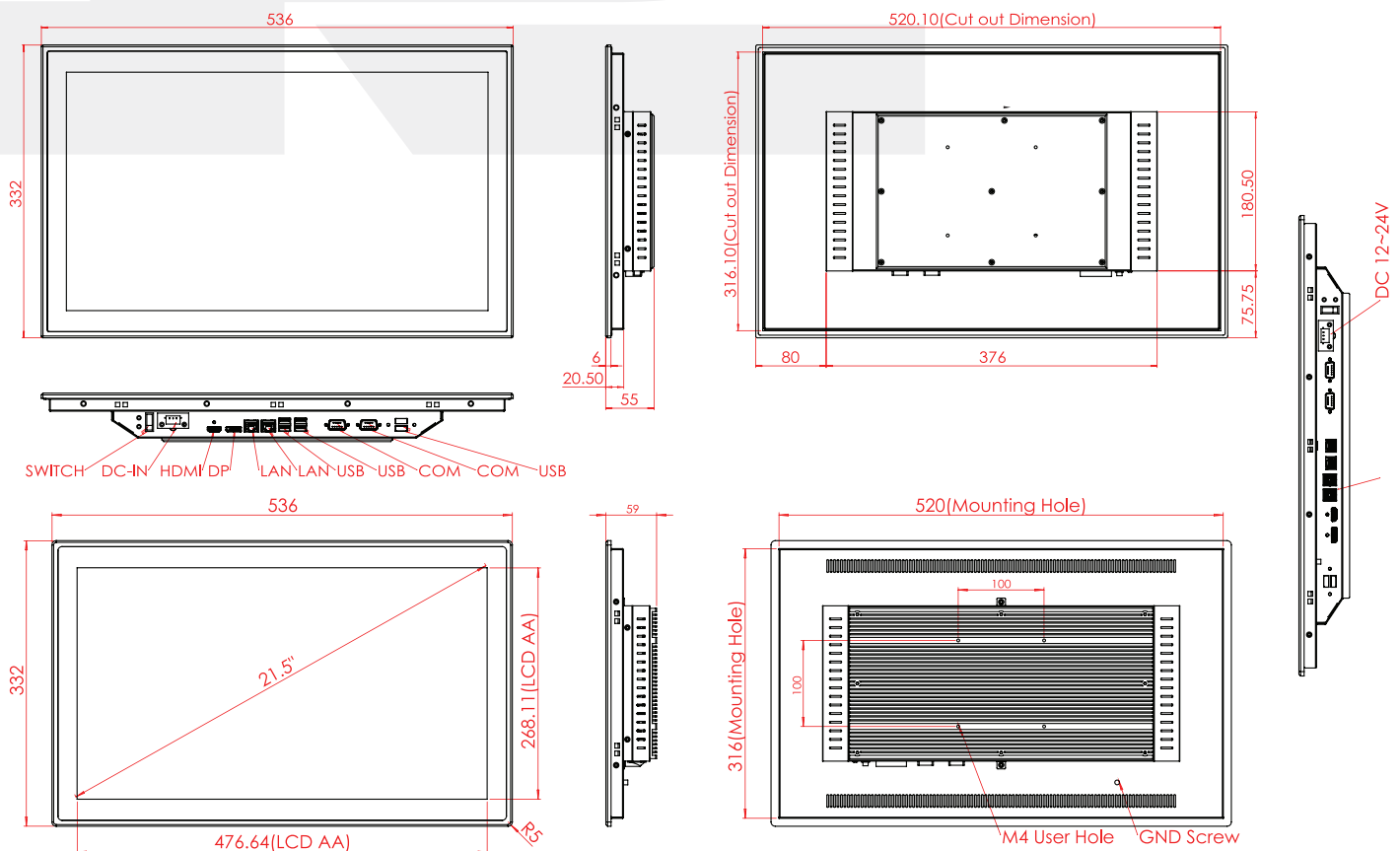


P2207D-MT 21.5" TFT LCD Panel

Dimension (W x D x H)
536 x 59 x 332 mm,
520 x 316 mm (Cut Size)

Order Information

P2207D-MT-P	21.5" Panel PC w. Intel Pentium N4200E
P2207D-MT-3	21.5" Panel PC w. Intel Core i3-8145UE
P2207D-MT-5	21.5" Panel PC w. Intel Core i5-8365UE

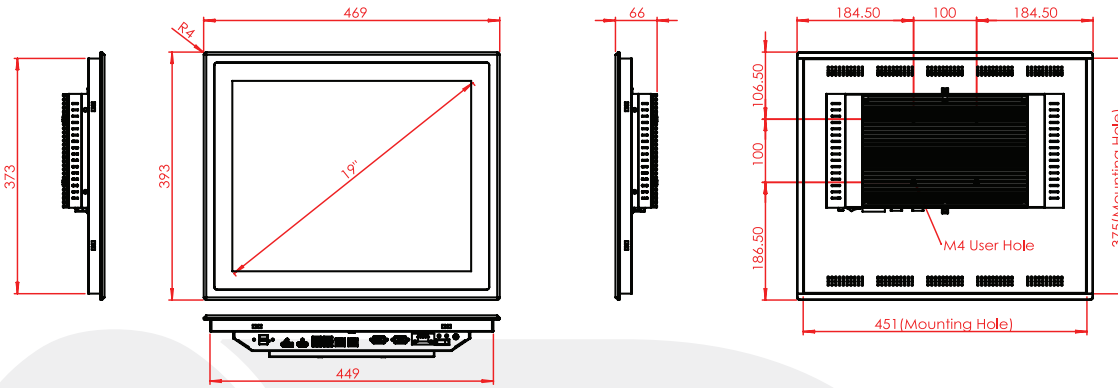


P1907D-MT 19" TFT LCD Panel

Dimension (W x D x H)
469 x 66 x 393 mm,
451x375 mm (Cut Size)

Order Information

P1907D-MT-P	19" Panel PC w. Intel Pentium N4200E
P1907D-MT-3	19" Panel PC w. Intel Core i3-8145UE
P1907D-MT-5	19" Panel PC w. Intel Core i5-8365UE

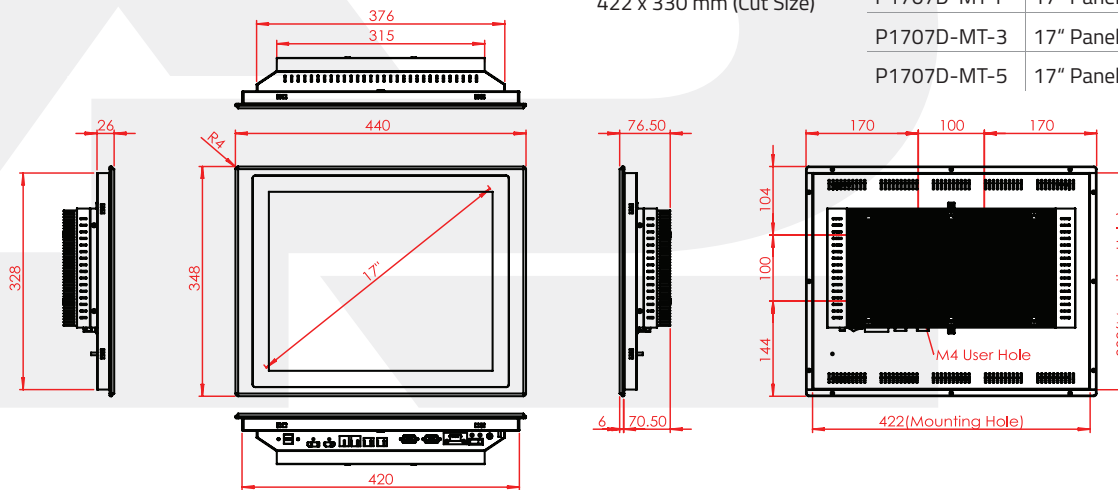


P1707D-MT 17" TFT LCD Panel

Dimension (W x D x H)
440 x 76.5 x 348 mm,
422 x 330 mm (Cut Size)

Order Information

P1707D-MT-P	17" Panel PC w. Intel Pentium N4200E
P1707D-MT-3	17" Panel PC w. Intel Core i3-8145UE
P1707D-MT-5	17" Panel PC w. Intel Core i5-8365UE

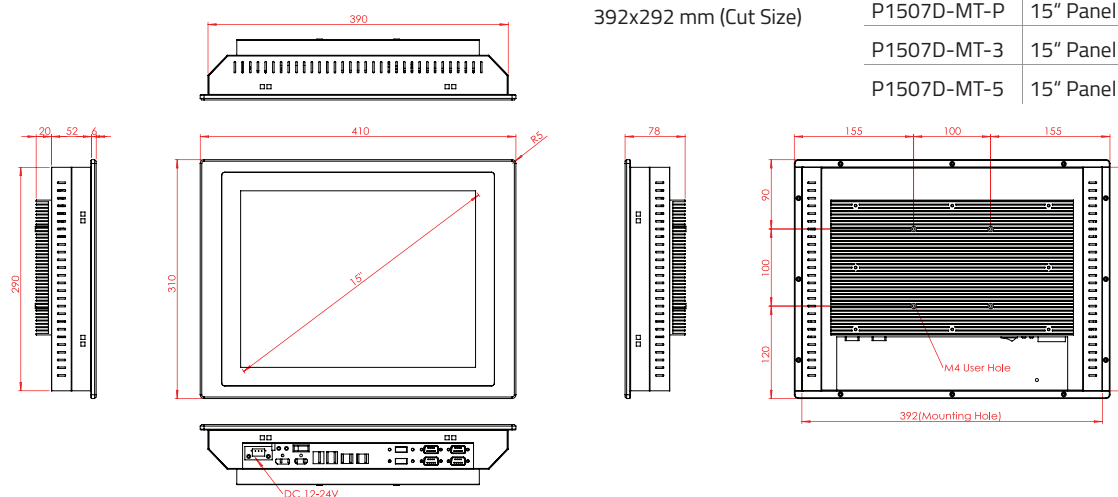


P1507D-MT 15" TFT LCD Panel

Dimension (W x D x H)
410 x 79 x 310 mm,
392x292 mm (Cut Size)

Order Information

P1507D-MT-P	15" Panel PC w. Intel Pentium N4200E
P1507D-MT-3	15" Panel PC w. Intel Core i3-8145UE
P1507D-MT-5	15" Panel PC w. Intel Core i5-8365UE

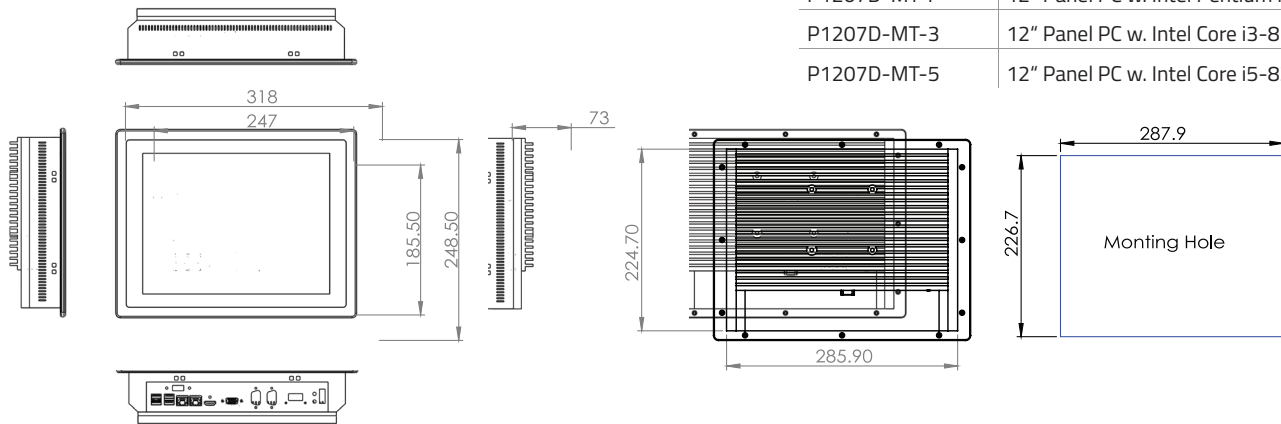


P1207D-MT 12" TFT LCD, 4:3

Dimension (W x D x H)
318 x 73 x 249 mm

Order Information

P1207D-MT-P	12" Panel PC w. Intel Pentium N4200E
P1207D-MT-3	12" Panel PC w. Intel Core i3-8145UE
P1207D-MT-5	12" Panel PC w. Intel Core i5-8365UE

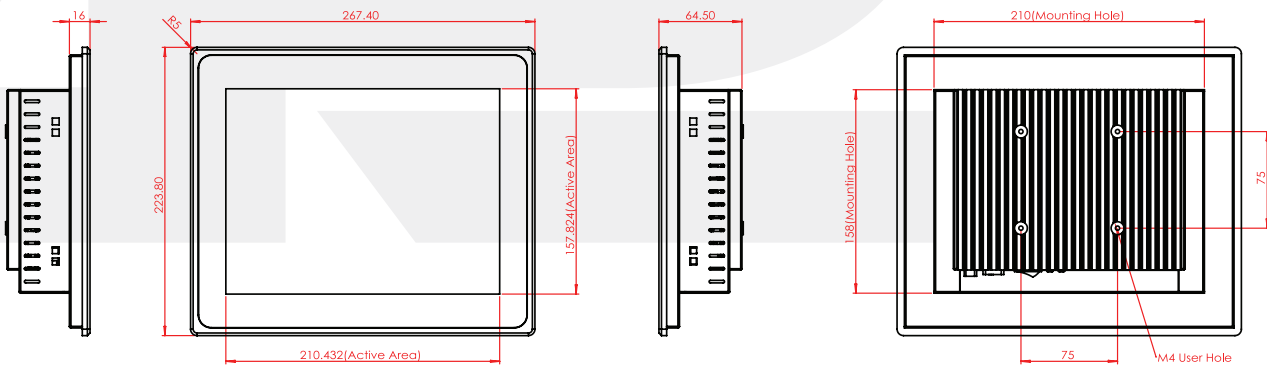


P1007D-MT 10.4" TFT LCD, 4:3

Dimension (W x D x H)
267.1 x 61 x 223.5 mm
210 x 158 mm
(Mounting Hole)

Order Information

P1007D-MT-P	10.4" Panel PC w. Intel Pentium N4200E
P1007D-MT-3	10.4" Panel PC w. Intel Core i3-8145UE
P1007D-MT-5	10.4" Panel PC w. Intel Core i5-8365UE



Optional Accessories

PAC-P090/120W

19V/3.4A 90W / 120WAC/DC power adapter kit



Optional Configuration (CTOS* Kit)

WIFI-AT2350

Atheros AR9462 WiFi module w/ 20cm & 30cm internal wiring




ANT-D11


1 x WiFi Dual-band 2.4G/5G antenna



Contacts

 Zimmersmühlenweg 14-18
D-61440 Oberursel/Ts.

 06171-9799110

 06171-9799115

 info@alptech.de

 www.alptech.de