

P1588C-MT

Fanless Panel PC for Core i-3/ 5 /i7 CPU
Multi Touch 15" all in one Panel PC with Mini PCIe

Fanless High Performance 10 points Multi Touch



Features

- 15" Panel PC with no Fan
- 6th / 7th. Generation Intel® Core I- 3 / 5/ i7 CPU
- 15" 1024 x 768 SXGA Color TFT LCD Display
- Rack Chassis Mounting / VESA Mounting
- 10 points PCT Multi Touch, capacitive
- Intel HD Graphics, HD 520/HD630, Support DirectX 11



System

CPU 6th./7th Gen.Intel® Core I-3 / 5 / 7 CPU
ULT CPU 15 Watt only

Memory 1 x 204-pin DDR4 SO-DIMM Socket up to 16GB
at 2133 MHz

Chipset Skylake / Kaby Lake ULT Intel SoC

LAN 2 x Intel G-LAN (i219LM PCIe, 210AT PCIe)

Watchdog Timer 1~255 levels reset

Storage

HDD/Type 2 x 2.5" drive bay + 1x mSATA, Raid

Flash Disk 1 x Nano SIM Holder

LCD Display

Size/Type 15" TFT LCD, 4:3

Resolution 1024 x 768, SXGA

Pixel Pitch 0.264 x 0.264 mm

Max. Colors 16M (24-bit)

Luminance 350 cd/m²

Touch Screen

Type 10 points PCT Multi Touch, capacitive

Resolution 1024x 768

Light Transparency 87%

Interface USB Interface

Power

Requirement DC 12 ~ 24V / AC 110-230V

Consumption ca. 29 Watt with Core i5-6200U, 4GB RAM

Rating NEMA 4 / IP65 Compliant Bezel

Certificate Meet CE / FCC Class A

Operation System

Windows 7 32 / 64 Bit
Windows 8.1 32 / 64 Bit
Windows 10 32 / 64 Bit
Linux Ubuntu 13.04, Fedora 19

I/O

Serial Port 1 x RS-232 (RS-422/485 optional)

USB Port Rear I/O: 4 x USB 3.0 + 2 x USB 2.0 Ports

KB/MS USB Keyboard and Mouse

LAN 2 x G-LAN, RJ-45

VGA 2x HDMI (DP optional) connector

Audio Mic-in/Line-out

Expansion Bus 1 x Mini PCIe socket

Mechanical

Mounting Type Rack-mounting / VESA Mounting

Tempered Glass 3 mm (if no Touch Screen on Front)

Construction Aluminum Front bezel (7,5mm) + steel chassis + Alu Heatsink

Dimension (W x D x H) 410 x 87 x 310 mm (First Design)

Environmental

Operating Temp. -10 ~ 60°C

Storage Temp. -20 ~ 80°C (-4 ~ 176°F)

Operating Humidity 10 ~ 95% RH @40°C (non-condensing)

Vibration 5~500Hz, 1Grms

Intel 6th Gen. CPU, Skylake
Intel® Core i3-6100U™ CPU 2.3GHz
Intel® Core i5-6300U™ CPU 2.3- 2.8 GHz
Intel® Core i7-6500U™ CPU 2.5- 3.1 GHz

Intel 7th Gen. CPU, Skylake
Intel® Core i3-7100U™ CPU 2.4GHz
Intel® Core i5-7300U™ CPU 2.6- 3.5 GHz
Intel® Core i7-7500U™ CPU 2.7- 3.5 GHz

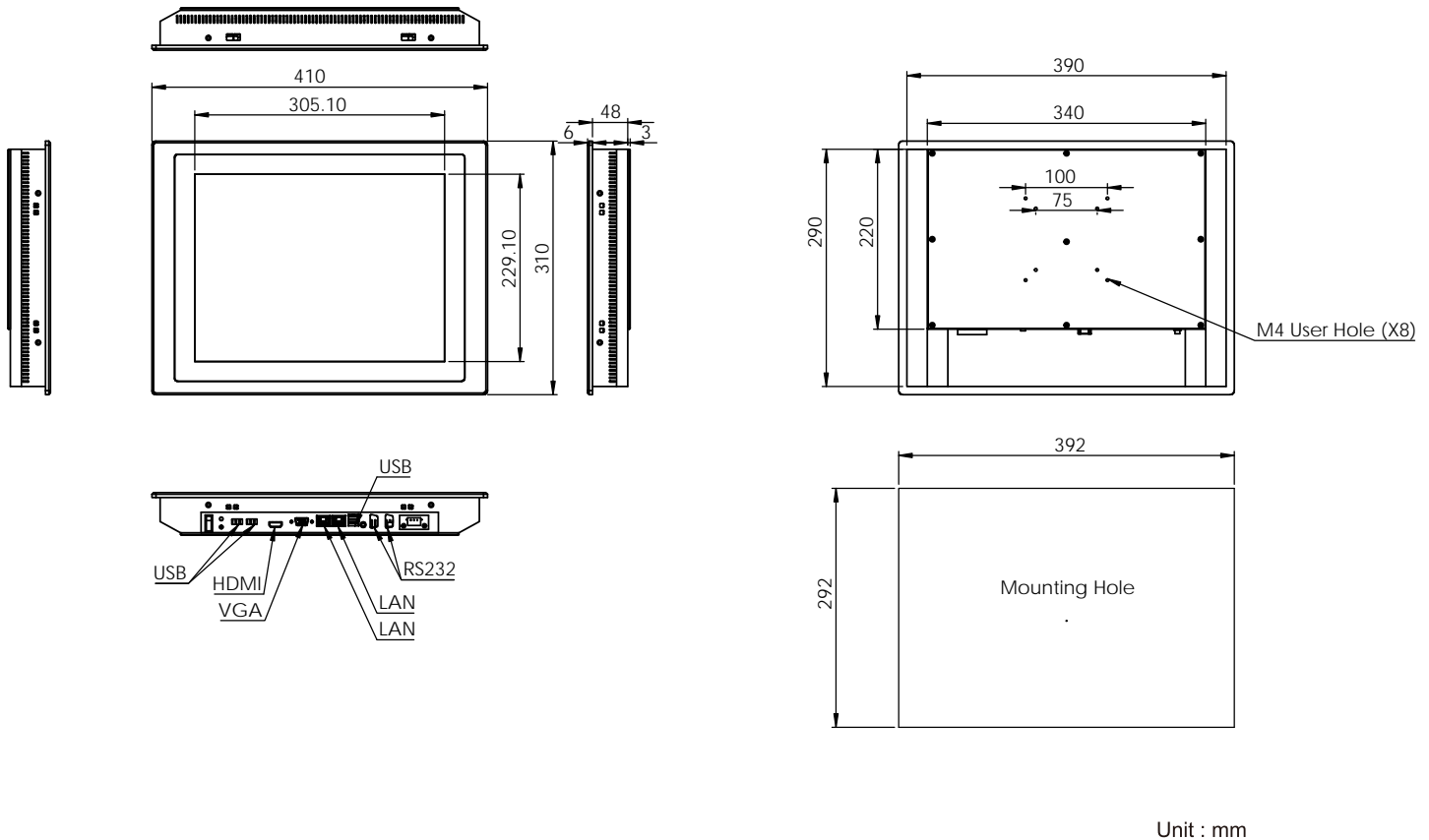
Alptech Elektronik GmbH



Zimmersmühlenweg 14-18 Tel: 06171-9799110 E-Mail: info@alptech.de

D-61440 Oberursel/Ts. Fax: 06171-9799115 www.alptech.de

Dimensions



Optional Accessories

PAC-P090/120W 19V/3.4A 90W /120WAC/DC power adapter kit



Optional Configuration (CTOS* Kit)

WIFI-AT2350 Atheros AR9462 WiFi module w/ 20cm & 30cm internal wiring



ANT-D11 1 x WiFi Dual-band 2.4G/5G antenna



*CTOS means Configure-to-Order Service.