

# P1506C-MT



Fanless 15 XGA 4:3 Industrial Panel PC with Intel® 6th. / 7th Core i-3 / i5 / i7 Processor



## Features

- 15" 4:3 1024 x 768 XGA LCD Display w/ LED Backlight
- Flat panel with projected capacitive touchscreen, 10 points Multi
- Front panel compliant with IP65
- Anti-scratch surface: 7H hardness
- Easy Maintenance Design for CFast/HDD/SSD
- Serial Ports (RS-232/485), RS-485 w/ Auto-flow Control
- Mini PCIe expansion slot support
- Fanless cooling system
- 1x TPM Module ( optional )
- SMA Antenna Holes for Optional WiFi Function
- 12 ~ 24V Wide-Range DC Input

System	
CPU	Intel® 6. / 7. Gen. Skylake, Kaby Lake CPUs Intel® Core i7-6500U™ CPU 3.0GHz, Skylake Intel® Core i5-6300U™ CPU 2.4GHz, Skylake Intel® Core i3-6100U™ CPU 2.3GHz, Skylake
Memory	1 x DDR4L SO-DIMM Socket, supporting 2133 MHz SDRAM up to 16GB
LAN	1 x Intel® 210AT 1x 219LM GbE controllers
Watchdog Timer	1~255 levels reset
Storage	
1st Device	2 x 2.5" drive bay, Raid 0,1,5(optional)
2nd Device	mSATA, mPCIe
Audio	
Speaker	No
LCD Display	
Size/Type	15" TFT LCD Panel
Max. Resolution	1024 x 768 XGA
Max. Colors	16.2M
Luminance	300 cd/m <sup>2</sup>
Touch Screen	Projected capacitive touch panel, 10 points Multi
View Angle (U/D/R/L)	80°/80°/85°/85°
Power System	
Power Input	DC 12~24V
& H U W L ĳ F D W L R Q	
EMC / EMI	Meet CE, FCC Class A
( [ S D Q V L R Q	
Expansion Bus	1 x Mini-card socket (Full Size)

( [ W H U Q D O , 2	
Serial Ports	2 x RS-232 ( 4 x RS-232 optional)
USB Ports	4 x Type-A USB 3.0 ports 2x USB 2.0 port ( 4x USB 2.0 optional)
LAN	2 x RJ-45 GbE ports
Graphics	1 x HDMI / DP connector
WiFi	optional
0 H F K D Q L F D O	
Mounting Type	Panel Mounting and VESA-100 Mounting
Chassis	Panel-mounting chassis, aluminum front bezel and SECC steel chassis
Dimension (W x D x H)	410 x 52 x 310 mm
Weight (Net)	6 kg
( Q Y L U R Q P H Q W D O	
Operating Temp.	-10°C ~ 60°C
Storage Temp.	-30°C ~ 70°C (-22°F ~ 158°F)
Operating Humidity	10 ~ 95% RH @ 60°C (non-condensing)
Vibration	5 ~ 500Hz, 2Grms Random (with CFast/SSD)
Shock	Operating 10G, 11ms Non-operating 30G, 11ms (with CFast/SSD)
2 6 6 X S S R U W	
W7 Pro / WS7E / W 10 / Win 10 IOT Enterprise	
Linux Kernal 4.x, Ubuntu 16.04, Fedora 25+	

Alptech Elektronik GmbH

MSI Industrial Mainboards inside

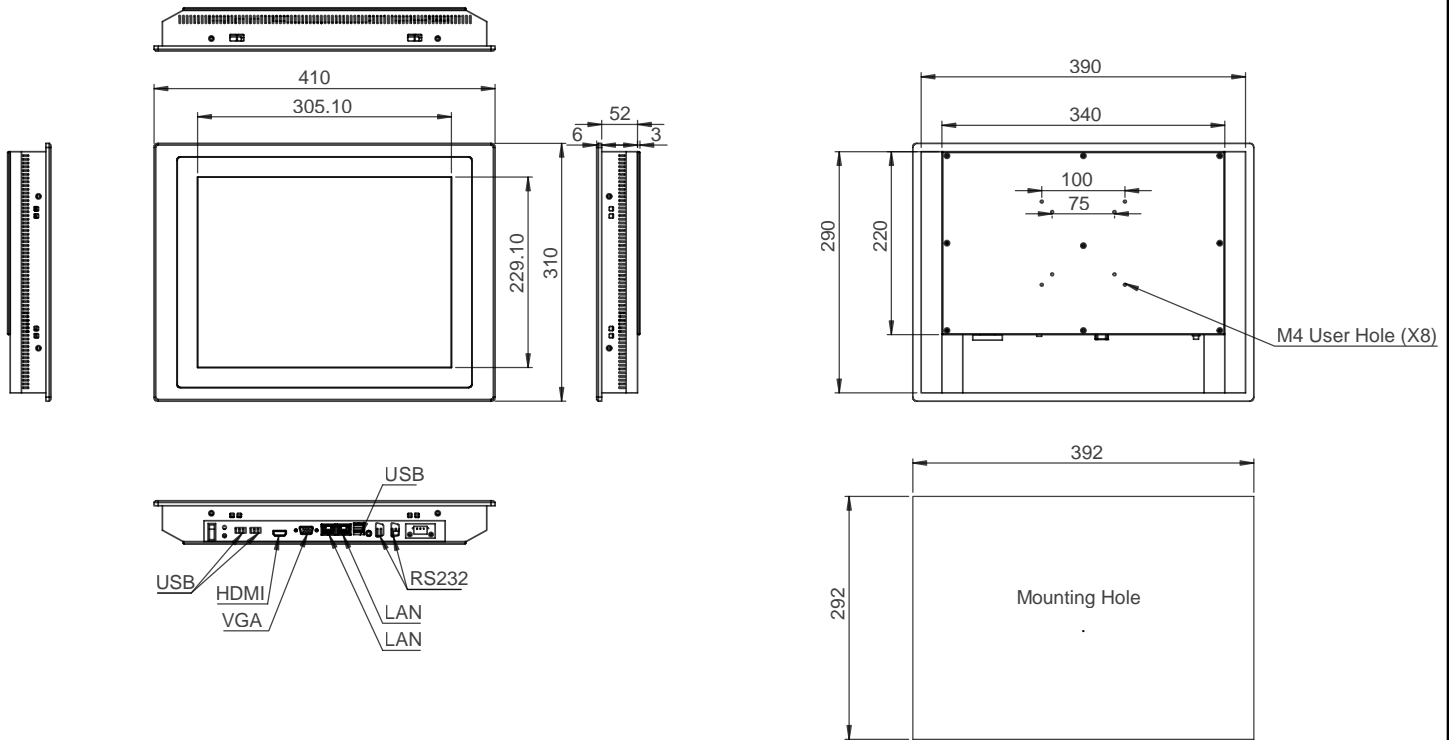


Zimmersmühlenweg 14-18 Tel: 06171-9799110 E-Mail: info@alptech.de  
D-61440 Oberursel/Ts. Fax: 06171-9799115 www.alptech.de

# P1506C-MT

Fanless 15" XGA 4:3 Industrial Panel PC with Intel® 6th. / 7th Core i-3 / i5 / i7 Processor

## Dimensions



Unit : mm

### Optional Accessories

PAC-P065/120W 19V/3.4A 65W /120WAC/DC power adapter kit



### Optional Configuration (CTOS\* Kit)

WIFI-AT2350 Atheros AR9462 WiFi module w/ 20cm & 30cm internal wiring



ANT-D11 1 x WiFi Dual-band 2.4G/5G antenna



www.alptech.de

Alptech Elektronik GmbH

\*CTOS means Configure-to-Order Service.