

# P-W2203P



Fanless 21,5" 16:9 Full HD Industrial Panel PC with Intel® Celeron® 4 Core N3160 Processor



## Features

- 21,5" 16:9 1920 x 1080 Full HD LCD Display w/ LED Backlight
- Flat panel with projected capacitive touchscreen, 10 points Multi
- Front panel compliant with IP65
- Anti-scratch surface: 7H hardness
- Easy Maintenance Design for CFast/HDD/SSD
- Serial Ports (RS-232/485), RS-485 w/ Auto-flow Control
- Mini PCIe expansion slot support
- Fanless cooling system
- 1x TPM Module ( optional )
- SMA Antenna Holes for Optional WiFi Function
- 9 ~ 36 V Wide-Range DC Input

System	
CPU	Intel®N3160, Quad Core 1,6- 2,24 GHz, 2MB Cache
Memory	2GB DDR3L SO-DIMM RAM module installed 1 x DDR3L SO-DIMM Socket, supporting 1600/1333 MHz SDRAM up to 8 GB
LAN	2 x Realtek RTL8111G GbE controllers
Watchdog Timer	1~255 levels reset
Storage	
1st Device	1 x 2.5" drive bay Drawer, mSATA
2nd Device	1 x CFast slot internal (Optional)
Audio	
LCD Display	
Size/Type	21,5" 16:9 TFT LCD Panel
Max. Resolution	1920 x 1080, Full HD
Max. Colors	16.2M
Luminance	250 cd/m <sup>2</sup>
Touch Screen	Projected capacitive touch panel, 10 points Multi
View Angle (U/D/R/L)	80°/80°/85°/85°
Power System	
Power Input	DC 9 ~ 36 V
Certification	
EMC / EMI	Meet CE, FCC Class A
Expansion	
Expansion Bus	2 x Mini-card socket (Full /Half Size)

External I/O	
Serial Ports	1 x RS232/422/485, 0V/5V/12V(optional)
USB Ports	4 x Type-A USB 3.0 ports 1 x Type-A USB 2.0 port
LAN	2 x RJ-45 GbE ports
DVI	1 x DP/ HDMI connector
WiFi	SMA antenna holes for optional WiFi function
Mechanical	
Mounting Type	Panel Mounting and VESA-100 Mounting
Chassis	Panel-mounting chassis, aluminum front bezel and SECC steel chassis
Dimension (W x D x H)	536 x 59 x 328 mm
Weight (Net)	12 kg
Environmental	
Operating Temp.	-10°C ~ 60°C
Storage Temp.	-30°C ~ 70°C (-22°F ~ 158°F)
Operating Humidity	10 ~ 95% RH @ 60°C (non-condensing)
Vibration	5 ~ 500Hz, 2Grms Random (with CFast/SSD)
Shock	Operating 10G, 11ms Non-operating 30G, 11ms (with CFast/SSD)
OS Support	
W7 Pro / WS7E / W8 /W10 / Linux: Ubuntu	

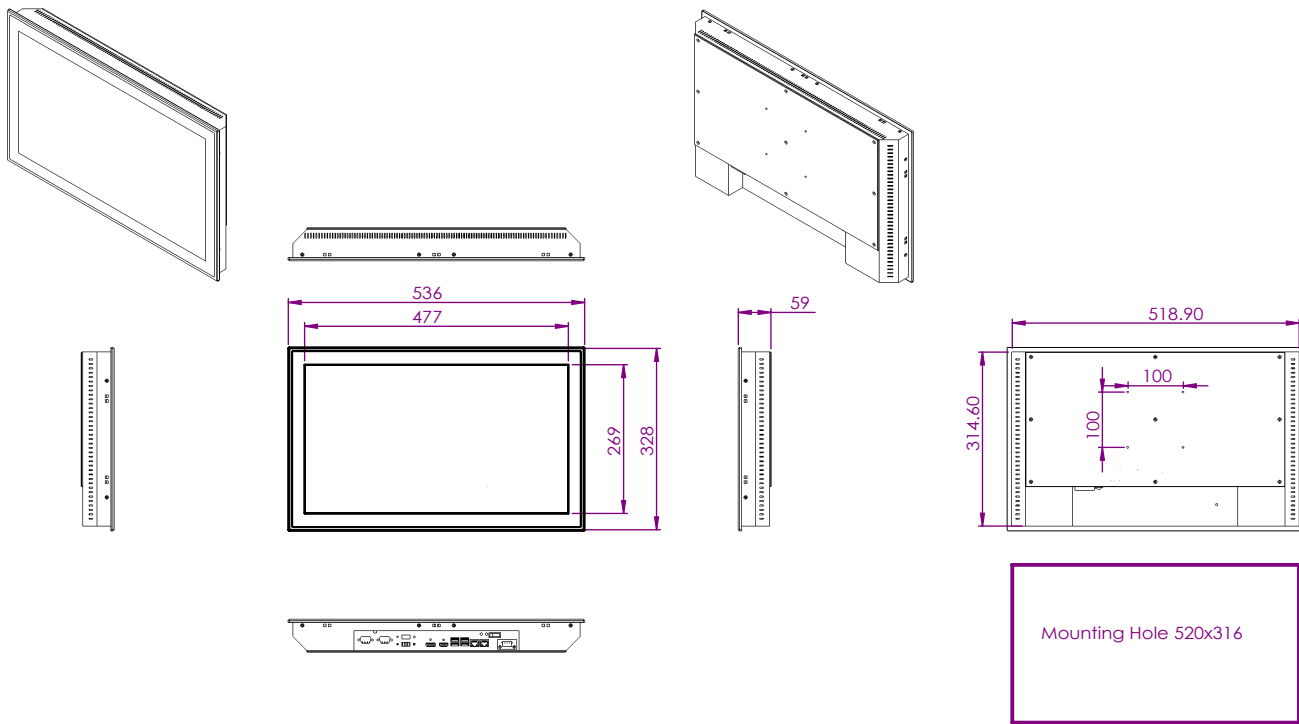


M/S Industrial Maintenance Service

Alptech Elektronik GmbH



# Dimensions



## Optional Accessories

PAC-P065/120W      19V/3.4A 65W /120WAC/DC power adapter kit



## Optional Configuration (CTOS\* Kit)

WIFI-AT2350      Atheros AR9462 WiFi module w/ 20cm & 30cm internal wiring



ANT-D11      1 x WiFi Dual-band 2.4G/5G antenna

