

# P-W1854WT



Fanless 18,5" WXGA 16:9 Industrial Panel PC with Intel Apollo Quad Core  
Intel Atom X5 E3940/E3930 Processor, Wide Temperature



## Features

- 18,5" 16:9 1366 x 768 WXGA LCD Display w/ LED Backlight
- **Flat panel with projected capacitive touchscreen, 10 points Multi**
- Front panel compliant with IP65
- Anti-scratch surface: 7H hardness
- Easy Maintenance Design for CFast/HDD/SSD
- Serial Ports (RS-232/485), RS-485 w/ Auto-flow Control
- Mini PCIe expansion slot support
- Fanless cooling system
- **1x TPM Module ( optional )**
- SMA Antenna Holes for Optional WiFi Function
- 12 ~24 V Wide-Range DC Input

## System

CPU	Intel® Atom E3930, Dual Core upto 1,8 GHz, 2MB Cache Intel® Atom E3940, Quad Core upto 1,8 GHz, 2MB Cache
Memory	1 x DDR3L SO-DIMM Socket, supporting 1600/1333 MHz SDRAM up to 8GB
LAN	2 x Intel® I210IT GbE controller
Watchdog Timer	1~255 levels reset

## Storage

1st Device	2 x 2.5" drive bay
2nd Device	mSATA

<b>Audio</b>	ALC887 HD Audio Code
--------------	----------------------

## LCD Display

Size/Type	18.5" TFT LCD Panel, (Sunlight Version optional)
Max. Resolution	1366 x 768, WXGA
Max. Colors	16.2M
<b>Luminance</b>	350 cd/m <sup>2</sup>
<b>Touch Screen</b>	<b>Projected capacitive touch panel, 10 points Multi</b>
View Angle (U/D/R/L)	80°/80°/85°/85°

## Power System

Power Input	DC 12~24V ( + - 8 % )
-------------	-----------------------

## Certification

EMC / EMI	Meet CE, FCC Class A/B
-----------	------------------------

## Expansion

Expansion Bus	1 x Mini-card socket (Full Size)
---------------	----------------------------------

## External I/O

Serial Ports	2 x RS232 & 2 x RS-232/485 w auto flow control
USB Ports	4 x Type-A USB 3.0 ports 2 x Type-A USB 2.0 port ( optional )
LAN	2 x RJ-45 GbE ports
HDMI/DP	1 x HDMI , 1x DP connector
Fuction Key	No

## Mechanical

Mounting Type	Panel Mounting and VESA-100 Mounting
Chassis	Panel-mounting chassis, aluminum front bezel and SECC steel chassis
Dimension (W x D x H)	470 x 58.5 x 295 mm
Weight (Net)	4.6 kg (10.14 lb)

## Environmental

Operating Temp.	-30°C ~ 78°C
Storage Temp.	-40°C ~ 85°C
Operating Humidity	10 ~ 95% RH @ 60°C (non-condensing)
Vibration	5 ~ 500Hz, 2Grms Random (with CFast/SSD)
Shock	Operating 10G, 11ms Non-operating 30G, 11ms (with CFast/SSD)
Protection	IP54 Front side

## OS Support

W10 Pro / IOT/ Linux: Ubuntu 16.04, Fedora 25



Alptech Elektronik GmbH

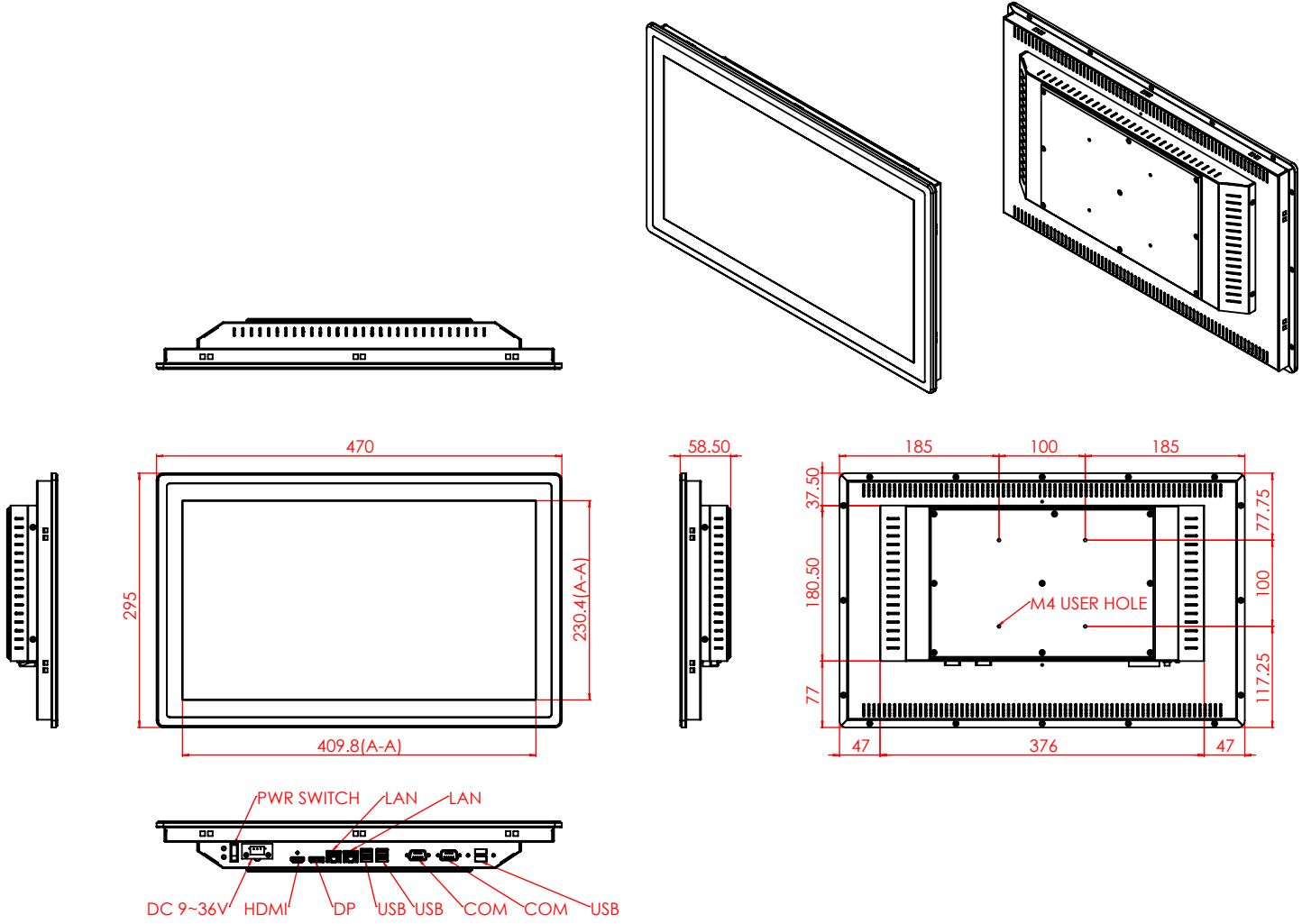


Zimmersmühlenweg 14-18  
D-61440 Oberursel/Ts.

Tel.: 06171-9799110  
Fax: 06171-9799115

E-Mail: info@alptech.de  
www.alptech.de

# Dimensions



## Optional Accessories

PAC-P065/120W

19V/3.4A 65W /120WAC/DC power adapter kit



\*CTOS means Configure-to-Order Service.