

### Features

- 24" New Generation Stainless Steel Panel PC
- 4th Generation Intel Core i3-6100U/i5-6300U Onboard Processor
- True Flat Front Bezel Design and Grade 304 Stainless Steel Enclosure (Grade 316 for Option)
- IP66/IP69K Rated with M12 Connectors
- Support Projected Capacitive Touch, and Glass
- Touch on/off Button on the Side Edge for Hygienic Cleaning
- Support Ergonomic Versatile Mounting: Yoke Mounting / Space-saving VESA 100 mm Mounting

### Specifications

Processor	Onboard 6th Gen. Intel Core i3-6100U/i5-6300U
System Chipset	SoC
System Memory	DDR 4L 2133 MHz, upto 16GB
RFID Module	RFID module design on the front side (optional)

USB	1 x M12 8-pin for USB 2.0 with waterproof cap
Serial/Parallel	1 x M12 8pin for COM 1, RS-232/422/485, Default RS-232, with waterproof cap
LAN	1 x M12 8pin for LAN with waterproof cap
Power	1 x M12 3pin DC Power with waterproof cap 1 x Power Switch on the rear side
Others	1 x Touch on/off button on the side
Option	2 x optional blank M12 connectors with waterproof cap for selecting two from the following options: 2 x USB 2.0 via TB-528U2 1 x USB 3.0 via cable 1 x LAN via cable 1 x COM Port via TB-528C1 1 x CAN via TB-528CAN2

HDD	1 x 2.5" HDD / SSD
Movable device	1 x SD slot

Expansion Slot	1 x Mini PCIe slot for WIFI/BT (optional)
----------------	---

Display Type	24" color TFT LCD	24" color TFT LCD
Max. Resolution	1920 x 1080	1920 x 1080
Max. Color	16.7M	16.7M
Luminance (cd/m <sup>2</sup> )	250	1000
View Angle	178(H) / 178(V)	178(H) / 178(V)
Contrast	3000:1	5000:1
Backlight Lifetime	30,000 Hrs	50,000 Hrs
Option	Optical Bonding	Optical Bonding

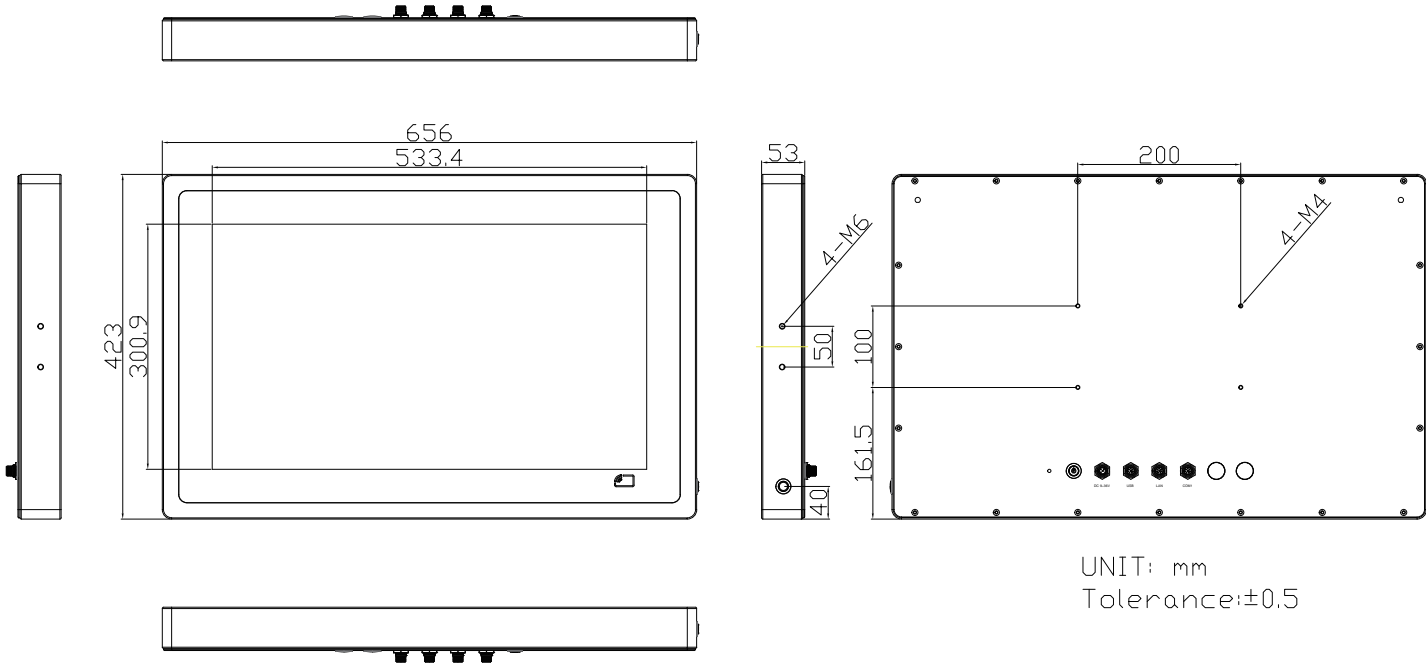
TS Control IC	Chip on tail	NA
Interface	USB interface	AR
Light Transmission	Over 90%	Over 90%



**ePPC** Computer für Industrie  
Computer for Industry



**Dimensions**



UNIT: mm  
Tolerance:±0.5

Power input	9~36V DC
Power Consumption	MAX:41.3W (924P)

Color	304 Stainless Steel Enclosure (Default) 316 Stainless Steel Enclosure (Optional)
Construction	Stainless steel enclosure
Mounting	VESA mount 200 x 100, Yoke mount
IP Rating	IP66/IP69K
Dimension	656 x 423 x 53 mm
Net Weight	12.5 Kg

Operating temperature(°C)	0~50°C
Storage temperature(°C)	-30°C~70°C
Storage humidity	10 to 90% @ 40°C, non-condensing
Certification	CE/FCC class A

Windows 7 Embedded Enterprise, Windows Embedded Standard 7, Windows Embedded 8.1 Pro, Windows Embedded 8.1 Industry Pro, Windows 10 IoT 2016

Ordering information	
V249P	21,5"/1920x1080/~36V/w PCT Touch
V249R	21,5"/1920x1080/~36V/w resistive Touch