

Fanless 21,5" IP65 Stainless Panel PC with Intel Celeron N2930 Quad Core CPU

P-V228P/R



Computer für Industrie

Features /



- 21,5" New Generation Stainless Steel Panel PC
- Intel Celeron N2930 1.83-2,16GHz Onboard CPU, Quad Core
- True Flat Front Bezel Design and Grade 304 Stainless Steel Enclosure (Grade 316 for Option)
- IP66/IP69K Rated with M12 Connectors
- Support Resistive Touch, Projected Capacitive Touch, and Glass
- Touch on/off Button on the Side Edge for Hygienic Cleaning
- Support Ergonomic Versatile Mounting: Yoke Mounting / Space-saving VESA 75 mm Mounting



Specifications /

System	
Processor	Onboard Intel Celeron N2930(1.83GHz) Processor ,Quad Core
System Chipset	SoC
System Memory	Onboard 4GB DDR 3L 1600 MHz

Outside I/O Port-Standard M12 I/O Connector on the rear	
USB	1 x M12 8-pin for USB 2.0 with waterproof cover and Chain
Serial/Parallel	1 x M12 8pin for COM 1, RS-232/422/485, Default RS-232, with waterproof cover and Chain
LAN	1 x M12 8pin for LAN with waterproof cover and Chain
Power	1 x M12 3pin DC Power with waterproof cover and Chain 1 x Power Switch on the rear side
Others	1 x Touch on/off button on the side
Option	2 x optional blank M12 connectors with waterproof cover and chain for selecting two from the following options: 2 x USB 2.0 via TB-528U2 1 x USB 3.0 via cable 1 x LAN via cable 1 x COM Port via TB-528C1 1 x CAN via TB-528CAN2 1 x POE via TB-528E1U2POE

Storage Space	
HDD	1 x 2.5" HDD / SSD
Movable device	1 x SD slot

Expansion	
Expansion Slot	1 x Mini PCIe slot for WIFI/BT (optional)
RFID Module	RFID module design on the front side (optional)

Display	Standard	High Brightness optional
Display Type	21.5" color TFT LCD	21.5" color TFT LCD
Max. Resolution	1920 x 1080	1920 x 1080
Max. Color	16.7M	16.7M
Luminance (cd/m ²)	300	1000
View Angle	178(H) / 178(V)	178(H) / 178(V)
Contrast	3000:1	3000:1
Backlight Lifetime	50,000 Hrs	50,000 Hrs
Option	Optical Bonding	Optical Bonding

Touch Screen	Resistive Touch	PCT	Glass
TS Control IC	PenMount 6000 on Board	Chip on tail	NA
Interface	USB interface	USB interface	AR/AG(option)
Light Transmission	Over 80%	Over 90%	Over 90%

Alptech Elektronik GmbH



Zimmersmühlenweg 14-18
D-61440 Oberursel/Ts.

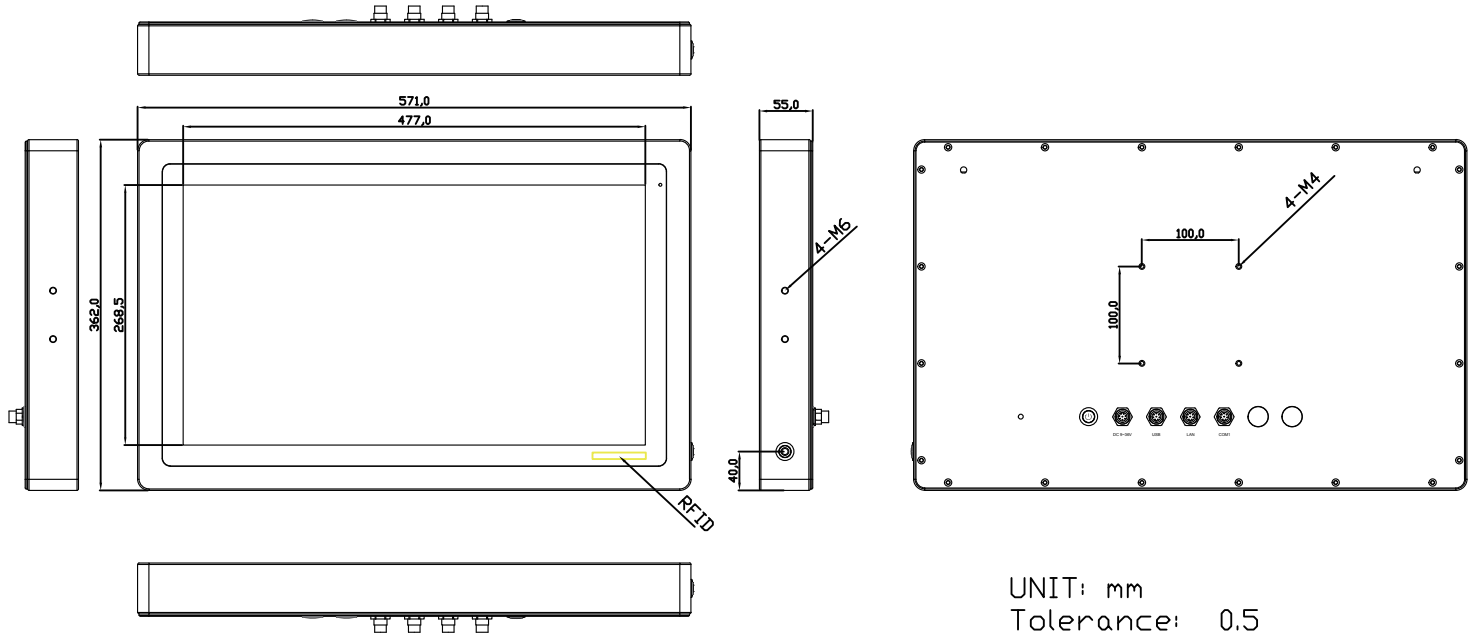
Tel: 06171-9799110
Fax: 06171-9799115

E-Mail: info@alptech.de
www.alptech.de

Fanless 21,5" IP65 Stainless Panel PC with Intel Celeron N2930 Quad Core CPU

P-V228P/R

Dimension Unit : mm



UNIT: mm
Tolerance: 0.5

Alptech Elektronik GmbH

Power	
Power input	9~36V DC
Power Consumption	MAX: 29.5W (228R) / MAX: TBD (228P)
Mechanical	
Color	304 Stainless Steel Enclosure (Default) 316 Stainless Steel Enclosure (Optional)
Construction	Stainless steel enclosure
Mounting	VESA mount 100 x 100, Yoke mount
IP Rating	IP66/IP69K
Dimension	571 x 362 x 55
Net Weight	9.9 Kg
Environmental	
Operating temperature(°C)	0~50°C
Storage temperature(°C)	-30°C~70°C
Storage humidity	10 to 90% @ 40°C, non-condensing
Certification	CE/FCC class A
Operating System Support	
Windows 7 Embedded Enterprise, Windows Embedded Standard 7, Windows Embedded 8.1 Pro, Windows Embedded 8.1 Industry Pro, Windows 10 IoT 2016	