



Features

- 21.5" New Generation Stainless Steel Panel PC
- Intel Pentium N4200/ Core-I 8th. Gen. Onboard Processor, Quad Core
- True Flat Front Bezel Design and Grade 304 Stainless Steel Enclosure (Grade 316 for Option)
- IP65/IP69K Rated with M12 Connectors
- Support Projected Capacitive Touch, and Glass
- Support Ergonomic Versatile Mounting: Yoke Mounting / Space-saving VESA 100 mm Mounting

Specifications

System	
Processor	Onboard Intel Pentium N4200 Processor, 2.5GHz, 4 Core, 2MB Onboard Intel Core i3-8145U Processor, 3.9GHz, 2 Core, 4MB Onboard Intel Core i5-8265U Processor, 3.9GHz, 4 Core, 6MB
System Memory	SO-DIMM Slot DDR 4L 2133 MHz upto 16GB

Outside I/O Port-Standard M12 I/O Connector on the rear	
USB	1 x M12 8-pin for USB 2.0 with waterproof cap
Serial/Parallel	1 x M12 8pin for COM 1, RS-232/422/485, Default RS-232, with waterproof cap
LAN	1 x M12 8pin for LAN with waterproof cap
Power	1 x M12 3pin DC Power with waterproof cap 1 x Power Switch on the rear side
Others	mPCIe, M.2 free Socket to add on
Option	2 x optional blank M12 connectors with waterproof cap for selecting two from the following options: 2 x USB 2.0 via Cable 1 x USB 3.0 via cable 1 x LAN via cable 1 x COM Port via Cable

Storage Space	
HDD	1 x 2.5" HDD / SSD 1 x mSATA slot

Expansion	
Expansion Slot	1 x Mini PCIe slot for WIFI/BT (optional)

Display	Standard	High Brightness optional
Display Type	21.5" color TFT LCD	21.5" color TFT LCD
Max. Resolution	1920 x 1080	1920 x 1080
Max. Color	16.7M	16.7M
Luminance (cd/m ²)	300	1000 (with Fan)
View Angle	178(H) / 178(V)	178(H) / 178(V)
Contrast	3000:1	3000:1
Backlight Lifetime	50,000 Hrs	50,000 Hrs (with Fan)
Option	Optical Bonding	Optical Bonding

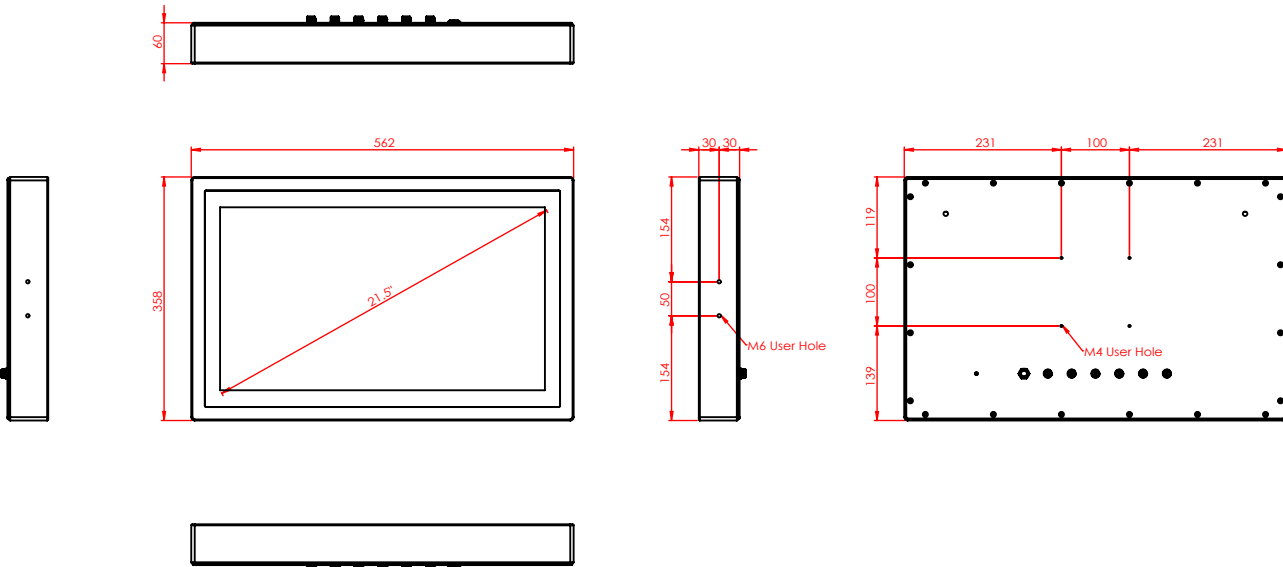
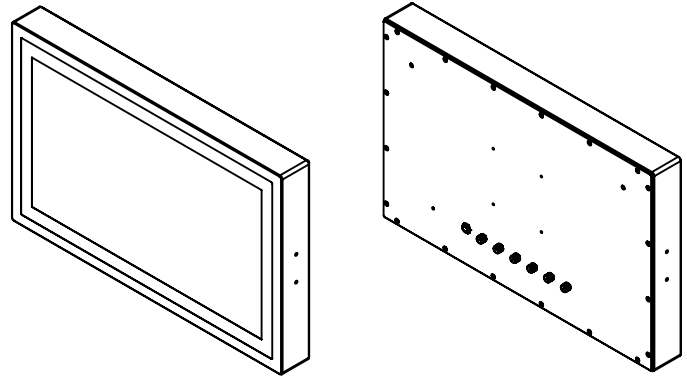
Touch Screen	PCT	Glass	Resistive
TS Control IC	Chip on tail	NA	Chip on tail
Interface	USB interface	AR/AG(option)	USB interface
Light Transmission	Over 90%	Over 90%	Over 80%



Powered by **Asus**

Alptech Elektronik GmbH

Dimension



Power	
Power input	12~24V DC
Power Consumption	MAX:41W (i3-8145U)
Mechanical	
Color	304 Stainless Steel Enclosure (Default) 316 Stainless Steel Enclosure (Optional)
Construction	Stainless steel enclosure
Mounting	VESA mount 100 x 100, Yoke mount
IP Rating	IP65/IP69K
Dimension	562 x 358 x 60 mm
Net Weight	TBD
Environmental	
Operating temperature(°C)	-20~50°C
Storage temperature(°C)	-30°C~70°C
Storage humidity	10 to 90% @ 40°C, non-condensing
Certification	CE/FCC class A
Operating System Support	
Windows 7 Embedded Enterprise, Windows Embedded Standard 7, Windows Embedded 8.1 Pro, Windows Embedded 8.1 Industry Pro, Windows 10 IoT 2016 Windows 11 Pro, diverse Linux OS	
Ordering information	
V2289D-MT-5	21,5"/ i5-8265U CPU, PCT Touch
V2289D-MT-3	21,5"/ I3-8145U CPU, PCT Touch
V2289D-MT-P	21,5"/ Pentium N4200 CPU, PCT Touch