

Fanless 19" IP65 Stainless Panel PC with Intel Celeron N2930 Quad Core CPU

P-V198P/R

Computer für Industrie



Features

- 19" New Generation Stainless Steel Panel PC
- Intel Celeron N2930 1.83GHz Onboard Processor, Quad Core
- True Flat Front Bezel Design and Grade 304 Stainless Steel Enclosure (Grade 316 for Option)
- IP66/IP69K Rated with M12 Connectors
- Support Resistive Touch, Projected Capacitive Touch, and Glass
- Touch on/off Button on the Side Edge for Hygienic Cleaning
- Support Ergonomic Versatile Mounting: Yoke Mounting / Space-saving VESA 75 mm Mounting

Specifications

System			
Processor	Onboard Intel Celeron N2930(1.83GHz) Processor , Quad Core		
System Chipset	SoC		
System Memory	Onboard 4GB DDR 3L 1600 MHz		
RFID Module	RFID module design on the front side (optional)		
Outside I/O Port-Standard M12 I/O Connector on the rear			
USB	1 x M12 8-pin for USB 2.0 with waterproof cap		
Serial/Parallel	1 x M12 8pin for COM 1, RS-232/422/485, default RS-232, with waterproof cap		
LAN	1 x M12 8pin for LAN with waterproof cap		
Power	1 x M12 3pin DC Power with waterproof cap 1 x Power Switch on the rear side		
Others	1 x Touch on/off button on the side		
Option	2 x optional blank M12 connectors with waterproof cap for selecting two from the following options: 2 x USB 2.0 via TB-528U2 1 x USB 3.0 via cable 1 x LAN via cable 1 x COM Port via TB-528C1 1 x CAN via TB-528CAN2 1 x POE via TB-528E1U2POE		
Storage Space			
HDD	1 x 2.5" HDD/SSD		
Movable device	1 x SD slot		
Expansion			
Expansion Slot	1 x Mini PCIe slot for WIFI/BT (optional)		
Display	Standard	High Brightness optional	
Display Type	19" color TFT LCD	19" color TFT LCD	
Max. Resolution	1280 x 1024	1280 x 1024	
Max. Color	262K / 16.2M (optional)	262K / 16.2M (optional)	
Luminance (cd/m ²)	350	1000	
Viewing Angle	160(H) / 150(V) 160(H) / 140(V) (optional)	178(H) / 178(V) 160(H) / 140(V) (optional)	
Contrast	800:1 / 700:1 (optional)	700:1	
Backlight Lifetime	50,000 hrs 30,000 hrs (optional)	50,000 Hrs	
Option	Optical Boading	Optical Boading	
Touch Screen	Resistive Touch	PCT	Glass
TS Control IC	PenMount 6000 on Board	Chip on tail	NA
Interface	USB interface	USB interface	AR
Light Transmission	Over 80%	Over 90%	Over 90%

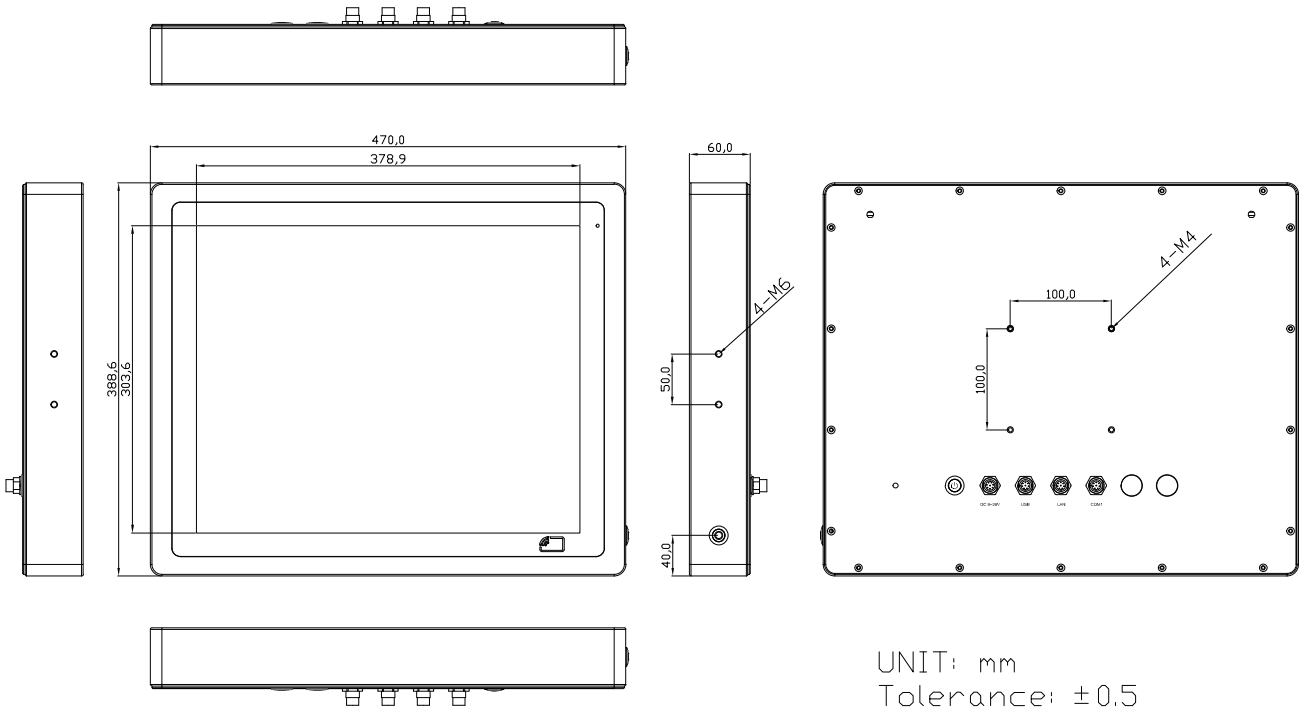
Alptech Elektronik GmbH



Fanless 19" IP65 Stainless Panel PC with Intel Celeron N2930 Quad Core CPU

P-V198P/R

Dimension Unit : mm



UNIT: mm
Tolerance: ±0.5

Power	
Power input	9~36V DC
Power Consumption	MAX: 25W (198R) / MAX: 25W (198P)
Mechanical	
Color	304 Stainless Steel Enclosure (Default) 316 Stainless Steel Enclosure (Optional)
Construction	Stainless steel enclosure
Mounting	VESA mount 75 x 75, Yoke mount
IP Rating	IP66/IP69K
Dimension	470 x 388.6 x 60 mm
Net Weight	10 Kg
Environmental	
Operating temperature(°C)	-20~60°C
Storage temperature(°C)	-30°C~70°C
Storage humidity	10 to 90% @ 40°C, non-condensing
Certification	CE/FCC class A
Operating System Support	
Windows 7 Embedded Enterprise, Windows Embedded Standard 7, Windows Embedded 8.1 Pro, Windows Embedded 8.1 Industry Pro, Windows 10 IoT 2016	