



Powered by **ASUS**

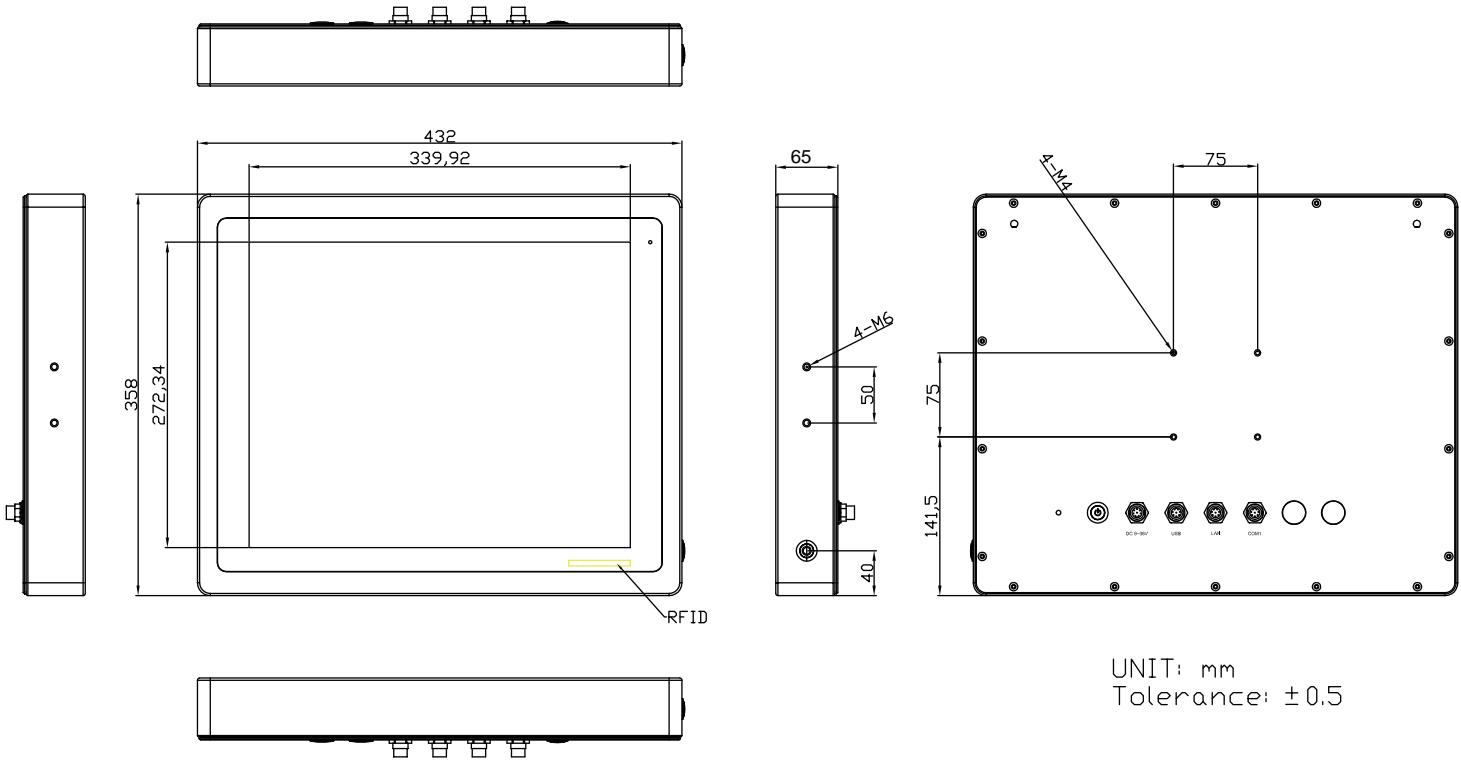
### Features

- 17" New Generation Stainless Steel Panel PC
- Intel Pentium N4200/ Core-i 8th. Gen. Onboard Processor, Quad Core
- True Flat Front Bezel Design and Grade 304 Stainless Steel Enclosure (Grade 316 for Option)
- IP65/IP69K Rated with M12 Connectors
- Support Projected Capacitive Touch, and Glass
- Touch on/off Button on the Side Edge for Hygienic Cleaning
- Support Ergonomic Versatile Mounting: Yoke Mounting / Space-saving VESA 75 mm Mounting

### Specifications

| System  |  |   |          |
|---|--|---|----------|
| Processor   | Onboard Intel Pentium N4200 Processor, 2.5GHz, 4 Core, 2MB<br>Onboard Intel Core i3-8145U Processor, 3.9GHz, 2 Core, 4MB<br>Onboard Intel Core i5-8265U Processor, 3.9GHz, 4 Core, 6MB               |   |          |
| System Chipset  | SoC  |   |          |
| System Memory   | Onboard DDR 3L/4L Socket, upto 16GB  |   |          |
| RFID Module   | optional   |   |          |
| Outside I/O Port-Standard M12 I/O Connector on the rear |  |   |          |
| USB   | 1 x M12 8-pin for USB 2.0 with waterproof cap  |   |          |
| Serial/Parallel   | 1 x M12 8pin for COM 1, RS-232/422/485, default RS-232, with waterproof cap  |   |          |
| LAN   | 1 x M12 8pin for LAN with waterproof cap   |   |          |
| Power   | 1 x M12 3pin DC Power with waterproof cap<br>1 x Power Switch on the rear side   |   |          |
| Others  | mPCIe, M.2 free Socket to add on   |   |          |
| Option  | 2 x optional blank M12 connectors with waterproof cap for selecting two from the following options:<br>2 x USB 2.0 via Cable<br>1 x USB 3.0 via cable<br>1 x LAN via cable<br>1 x COM Port via Cable |   |          |
| Storage Space   |  |   |          |
| HDD   | 1 x 2.5" HDD/SSD   |   |          |
| Movable device  | 1 x Micro SD slot  |   |          |
| Expansion   |  |   |          |
| Expansion Slot  | 1 x Mini PCIe slot for WIFI/BT (optional)  |   |          |
| Display   | Standard   | High Brightness optional                      |          |
| Display Type  | 17" color TFT LCD  | 17" color TFT LCD                             |          |
| Max. Resolution   | 1280 x 1024  | 1280 x 1024                                   |          |
| Max. Color  | 262K / 16.2M (optional)  | 262K / 16.2M (optional)                       |          |
| Luminance (cd/m <sup>2</sup> )                          | 350  | 1000  |          |
| Viewing Angle   | 160(H) / 150(V)<br>160(H) / 140(V) (optional)  | 178(H) / 178(V)<br>160(H) / 140(V) (optional) |          |
| Contrast  | 800:1 / 700:1 (optional)   | 700:1   |          |
| Backlight Lifetime                                      | 50,000 hrs   | 50,000 Hrs                                    |          |
| Option  | Optical Boading  | Optical Boading                               |          |
| Touch Screen  | PCT  |   | Glass    |
| TS Control IC   | Chip on tail   |   | NA       |
| Interface   | USB interface  |   | AR       |
| Light Transmission                                      | Over 90%   |   | Over 90% |

**Dimension** Unit : mm



UNIT: mm  
Tolerance: ± 0.5

| Power   |   |
|---|---|
| Power input   | 12~24V DC   |
| Power Consumption   | MAX: 18.9W (Pentium )   |
| Mechanical  |   |
| Color   | 304 Stainless Steel Enclosure (Default)<br>316 Stainless Steel Enclosure (Optional) |
| Construction  | Stainless steel enclosure   |
| Mounting  | VESA mount 75 x 75, Yoke mount  |
| IP Rating   | IP66/IP69K  |
| Dimension   | 432 x 358 x 65 mm   |
| Net Weight  | 12 Kg   |
| Environmental   |   |
| Operating temperature(°C)   | -20~60°C  |
| Storage temperature(°C)   | -30°C~70°C  |
| Storage humidity  | 10 to 90% @ 40°C, non-condensing  |
| Certification   | CE/FCC class A  |
| Operating System Support  |   |
| Windows 7 Embedded Enterprise, Windows Embedded Standard 7,<br>Windows Embedded 8.1 Pro, Windows Embedded 8.1 Industry Pro, Windows 10 IoT 2016 |   |
| Ordering information  |   |
| V1789D-MT-5   | 17" i5-8265U CPU, PCT Touch   |
| V1789D-MT-3   | 17" i3-8145U CPU, PCT Touch   |
| V1789D-MT-P   | 17" Pentium N4200 CPU, PCT Touch  |