

Powered by **ASUS**

Features

- 15.6" New Generation Stainless Steel Panel PC
- Intel Pentium N4200/ Core-i 8th. Gen. Onboard Processor, Quad Core
- True Flat Front Bezel Design and Grade 304 Stainless Steel Enclosure (Grade 316 for Option)
- IP66/IP69K Rated with M12 Connectors
- Support Projected Capacitive Touch, and Glass
- Touch on/off Button on the Side Edge for Hygienic Cleaning
- Support Ergonomic Versatile Mounting: Yoke Mounting / Space-saving VESA 75 mm Mounting

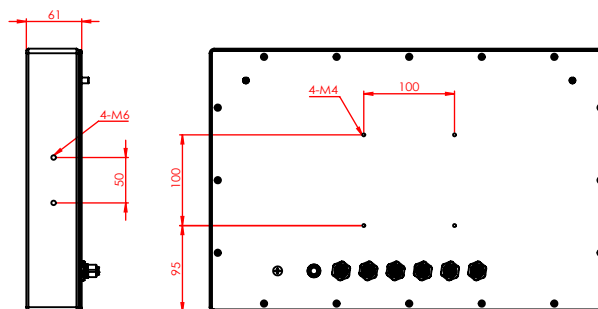
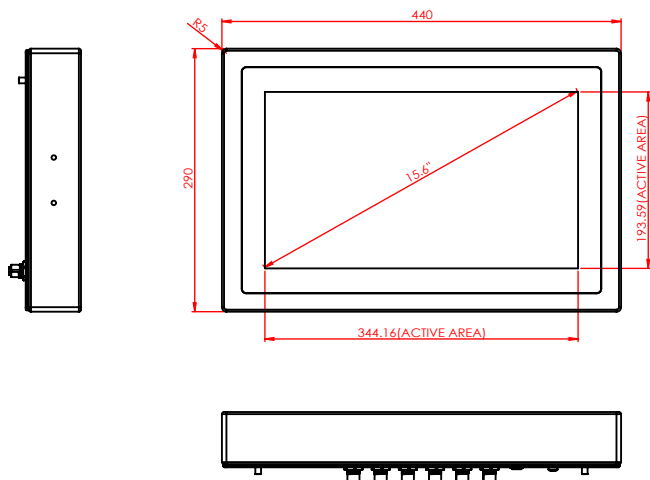
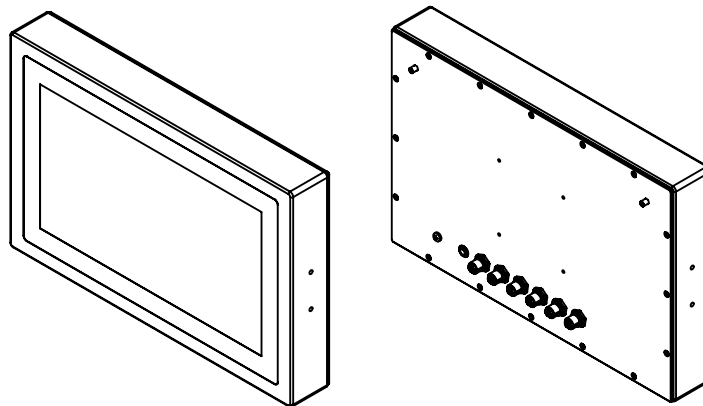
Specifications

System		
Processor	Onboard Intel Pentium N4200 Processor, 2.5GHz, 4 Core, 2MB Onboard Intel Core i3-8145U Processor, 3.9GHz, 2 Core, 4MB Onboard Intel Core i5-8265U Processor, 3.9GHz, 4 Core, 6MB	
System Chipset	SoC	
System Memory	Onboard DDR 3L/4L Socket, upto 16GB	
RFID Module	optional	
Outside I/O Port-Standard M12 I/O Connector on the rear		
USB	1 x M12 8-pin for USB 2.0 with waterproof cap	
Serial/Parallel	1 x M12 8pin for COM 1, RS-232/422/485, default RS-232, with waterproof cap	
LAN	1 x M12 8pin for LAN with waterproof cap	
Power	1 x M12 3pin DC Power with waterproof cap 1 x Power Switch on the rear side	
Others	mPCIe, M.2 free Socket to add on	
Option	2 x optional blank M12 connectors with waterproof cap for selecting two from the following options: 2 x USB 2.0 via Cable 1 x USB 3.0 via cable 1 x LAN via cable 1 x COM Port via Cable	
Storage Space		
HDD	1 x 2.5" HDD/SSD	
Movable device	1 x Micro SD slot	
Expansion		
Expansion Slot	1 x Mini PCIe slot for WIFI/BT (optional)	
Display	Standard	High Brightness optional
Display Type	15.6" color TFT LCD	15.6" color TFT LCD
Max. Resolution	1366 x 768	1366 x 768
Max. Color	262K / 16.2M (optional)	262K / 16.2M (optional)
Luminance (cd/m ²)	300	1000
Viewing Angle	160(H) / 160(V) 160(H) / 140(V) (optional)	160(H) / 160(V) 160(H) / 140(V) (optional)
Contrast	800:1 / 700:1 (optional)	700:1
Backlight Lifetime	50,000 hrs	50,000 Hrs
Option	Optical Boading	Optical Boading
Touch Screen	PCT	Glass
TS Control IC	Chip on tail	NA
Interface	USB interface	AR
Light Transmission	Over 90%	Over 90%

Fanless 15.6" IP65 Stainless Panel PC with Intel Pentium N4200 / Core i 8th. Gen. CPU

P-V1569D-MT

Dimension Unit : mm



Power	
Power input	12~24V DC
Power Consumption	MAX: 18.9W (Pentium)
Mechanical	
Color	304 Stainless Steel Enclosure (Default) 316 Stainless Steel Enclosure (Optional)
Construction	Stainless steel enclosure
Mounting	VESA mount 75 x 75, Yoke mount
IP Rating	IP65/IP69K
Dimension	440 x 290 x 61 mm
Net Weight	12 Kg
Environmental	
Operating temperature(°C)	-0~60°C
Storage temperature(°C)	-30°C~70°C
Storage humidity	10 to 90% @ 40°C, non-condensing
Certification	CE/FCC class A
Operating System Support	
Windows 10 IoT 2016	Linux
Windows 10 / 11 pro	
Ordering information	
V1569D-MT-5	17" i5-8265U CPU, PCT Touch
V1569D-MT-3	17" i3-8145U CPU, PCT Touch
V1569D-MT-P	17" Pentium N4200 CPU, PCT Touch