

P-S1503P



Fanless 15" 4:3 XGA Industrial Panel PC with Intel Braswell Celeron Quad Core N3160 Processor



Features

- 15" 1024 x 768 XGA LCD Display w/ LED Backlight
- Flat panel with projected capacitive touchscreen, 10 points Multi
- Front panel compliant with IP65
- Anti-scratch surface: 7H hardness
- Easy Maintenance Design for CFast/HDD/SSD
- Serial Ports (RS-232/485), RS-485 w/ Auto-flow Control
- Mini PCIe expansion slot support
- Fanless cooling system
- Low power consumption
- SMA Antenna Holes for Optional WiFi Function
- 9~36 V Wide-Range DC Input

System	
CPU	Intel® N3160, Quad Core 1,6-2,24GHz, 2MB Cache 2GB DDR3L SO-DIMM RAM module installed
Memory	1 x DDR3L SO-DIMM Socket, supporting 1600/1333 MHz SDRAM up to 8GB
LAN	2 x Realtek RTL8111G GbE controllers
Watchdog Timer	1~255 levels reset
Storage	
1st Device	1 x 2.5" drive bay, 1x mSATA
2nd Device	1 x CFast slot internal (Optional)
Audio	
Graphics	Intel® Gen 8 Graphics Chip, DirectX 11, Open GL 3.2
HDMI/DP Port	Resolution 2560x1600 @60Hz
LCD Display	
Size/Type	15" TFT LCD Panel
Max. Resolution	1024 x 768, XGA
Max. Colors	16.2M
Luminance	400 cd/m ²
Touch Screen	Projected capacitive touch panel, 10 points Multi
View Angle (U/D/R/L)	80°/80°/85°/85°
Power System	
Power Input	DC 9~36V
Certification	
EMC / EMI	Meet CE, FCC Class A
Expansion	
Expansion Bus	2 x Mini-card socket (Full / Half Size) 1 x mSATA

External I/O	
Serial Ports	1 x RS232/422/485, 0V/5V/12V 2 x RS-232 (optional)
USB Ports	4 x Type-A USB 3.0 ports 1 x Type-A USB 2.0 port
LAN	2 x RJ-45 GbE ports 1 x DP/HDMI connector
WiFi	SMA antenna holes(for optional WiFi function)
Mechanical	
Mounting Type	Panel Mounting and VESA-100 Mounting
Chassis	Panel-mounting chassis, aluminum front bezel and SECC steel chassis
Dimension (W x D x H)	410 x 48 x 310 mm
Weight (Net)	4.6 kg (10.14 lb)
Environmental	
Operating Temp.	-10°C ~ 60°C
Storage Temp.	-30°C ~ 70°C (-22°F ~ 158°F)
Operating Humidity	10 ~ 95% RH @ 60°C (non-condensing)
Vibration	5 ~ 500Hz, 2Grms Random (with CFast/SSD)
Shock	Operating 10G, 11ms Non-operating 30G, 11ms (with CFast/SSD)
OS Support	
W7 Pro / WS7E / W8 /W10 / Linux: Ubuntu	



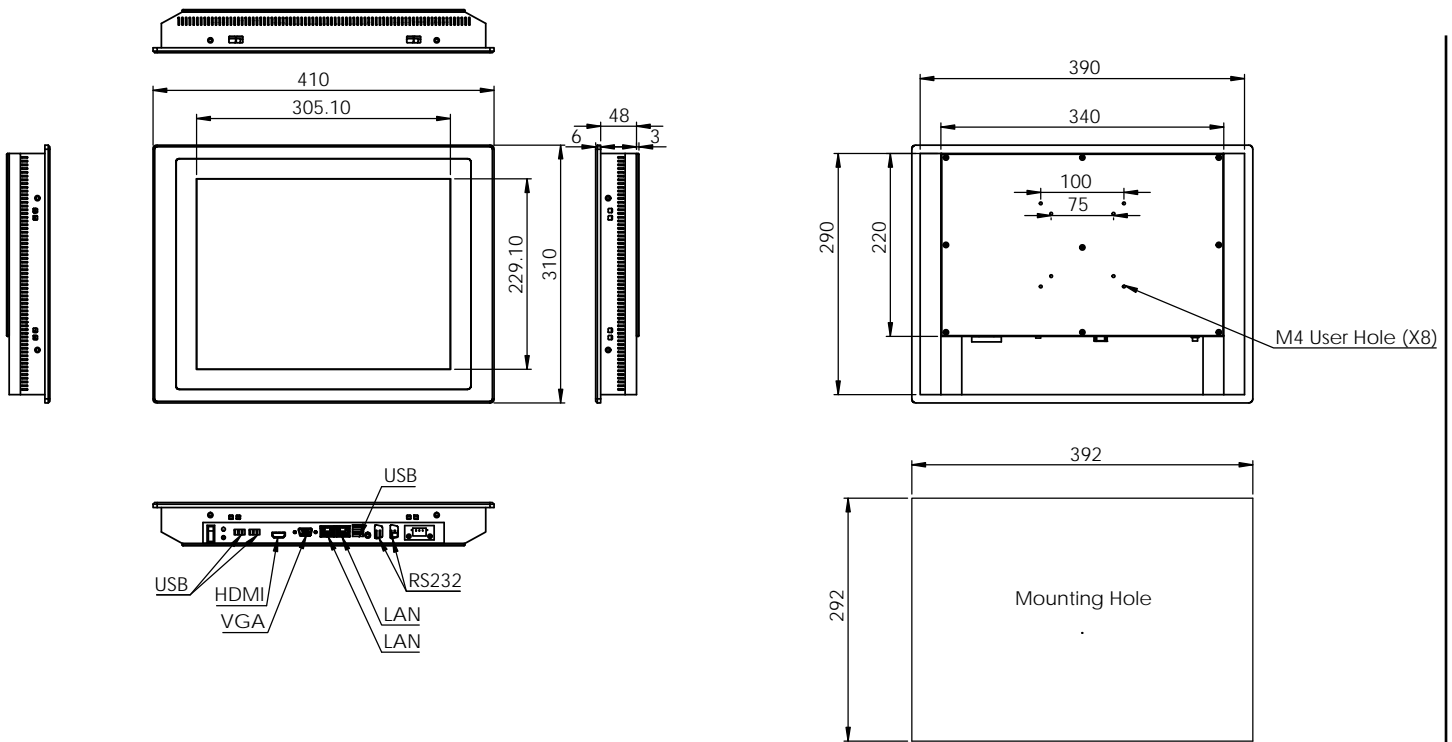
MSI Industrial Mainboards inside

Alptech Elektronik GmbH



Zimmersmühlenweg 14-18 Tel: 06171-9799110 E-Mail: info@alptech.de
D-61440 Oberursel/Ts. Fax: 06171-9799115 www.alptech.de

Dimensions



Unit : mm

Optional Accessories

PAC-P065/120W 19V/3.4A 65W /120WAC/DC power adapter kit



Optional Configuration (CTOS* Kit)

WIFI-AT2350 Atheros AR9462 WiFi module w/ 20cm & 30cm internal wiring



ANT-D11 1 x WiFi Dual-band 2.4G/5G antenna



*CTOS means Configure-to-Order Service.