

E395S-IM-AA

3.5" form factor, Intel® Apollo Lake-I, x7-E3950, DDR3L SO-DIMM, DP, HDMI, LVDS (eDP optional), Dual-LAN, Multiple COM, 12-24V DC

Features

- Up to 6 COM ports, includes 2 x RS-232/422/485
- Supports 3 display configuration by multiple interface: DP/HDMI/LVDS (eDP optional)
- Supports I2C, SMBus and DIO
- Wide temperature range endurance: -40~85 °C



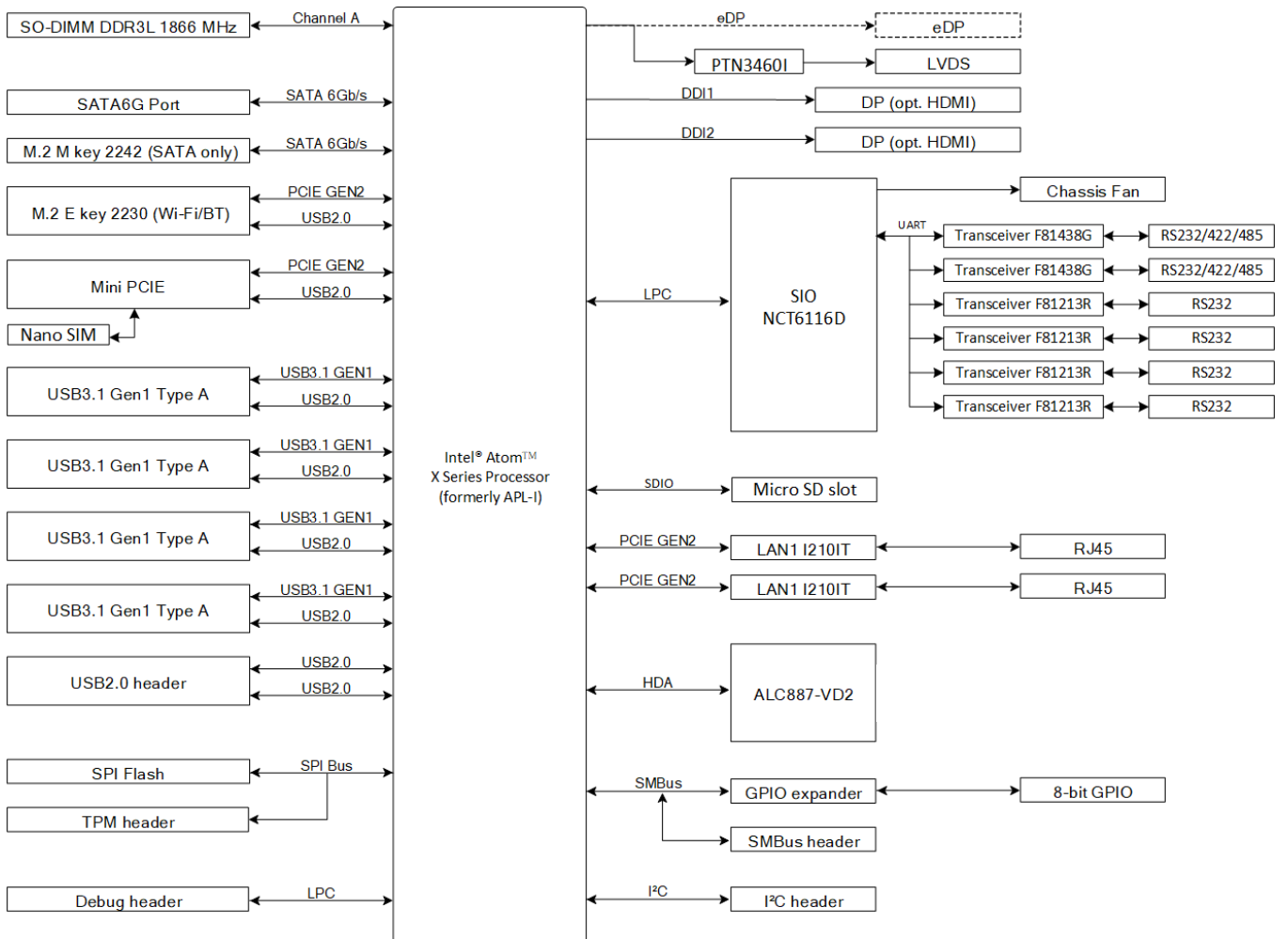
Specifications

| | | |
|---------------------------|---------------------------------|---|
| PROCESSOR SYSTEM | CPU | Intel® Apollo Lake-I, x7-E3950 |
| | MAX. SPEED | 1.6GHz Quad-core (Turbo 2.0GHz) |
| | L2 Cache | 2MB |
| | CHIPSET | Integrated |
| MEMORY | Technology | DDR3L 1866MHz, non-ECC, un-buffered memory |
| | Max. | 8GB |
| | Socket | 1 x SO-DIMM |
| Display | Controller | Intel HD Graphics 505 |
| | HDMI | 1, Supports HDMI 1.4b up to 3840 x 2160 @ 30 Hz |
| | Display Port | 1, Supports DP 1.2 up to 4096 x 2160 @ 60 Hz |
| | LVDS | 1, Supports 1920 x 1080 at 60 Hz resolution in dual LVDS bus mode |
| | eDP (optional) | 1, Support eDP 1.3 x4 lanes, Up to 3840x2160 @ 60 Hz |
| EXPANSION SLOT | Multi Display | DP+HDMI+LVDS Multi-VGA output support :DP/HDMI/LVDS ports Supports up to 3 displays simultaneous under OS |
| | Mini PCIe | 1 x Full-Length Mini PCIe slot with on-board Nano-SIM socket |
| | M.2 | 1 x M.2 Socket 1 with E key, type 2230 for WIFI/BT device 1 x M.2 Socket 3 with M key, type 2242 (SATA mode) |
| ETHERNET | others | 1 x Micro SD Card slot (on-board) |
| | Speed | 10/100/1000Mbps |
| | Controller | 2 x Intel® I210IT |
| AUDIO | Connector | 2 x RJ-45 |
| | Codec | Realtek ALC887-VD2 High Definition Audio CODEC |
| STORAGE | Connector | Line-out, Mic-in |
| | SATA port | 1x SATA Gen 3.0, up to 6Gb/s |
| Rear I/O | Display Port | 1 |
| | HDMI | 1 |
| | USB3.1 Gen1 Type-A ports | 4 |
| | Ethernet | 2 |
| Internal Connector | Serial Port | 6 (2 x RS-232/422/485, 4 x RS-232) |
| | USB2.0 | 1, support additional 2 x USB2.0 connectors |
| | Chassis fan header | 1 |
| | Chassis intrusion header | 1 |
| | Front panel audio header (AAFP) | 1 |
| | System panel header | 1 |
| | Clear CMOS jumper | 1 |
| | SATA power header | 1 |
| | LPC Debug header | 1 |
| | SMBus header | 1 |
| | I ² C header | 1 |
| power connector | 1(4 pin) | |
| GPIO header (8 bit) | 1 | |
| WATCHDOG TIMER | H/W | yes |

Specifications

| | | |
|-------------------------|---------------------------|---|
| Security | TPM | 1 x SPI TPM header |
| POWER | Power Type | DC power input |
| | Voltage | 12V-24V |
| Operating System | Microsoft Windows | Windows® 10 (64bit) / Win10 IoT Enterprise |
| | Linux | Ubuntu, RedHat Enterprise, Fedora Workstation |
| ENVIRONMENT | Operating Temperature | -40~85° C |
| | Non-Operating Temperature | -40~85° C |
| DIMENSION | Form Factor | 3.5", 146 x 105 mm |
| Certification | Safety | CE, FCC |
| | EMC | UL, CCC |

Block Diagram



Ordering Information

| Model Name | Description |
|-------------|--|
| E395S-IM-AA | 3.5" form factor, Atom® x7-E3950 Processor, DDR3L SO-DIMM, DP, HDMI, LVDS, Dual-LAN, Multiple COM, 12-24V DC |
| E394S-IM-AA | 3.5" form factor, Atom® x5-E3940 Processor, DDR3L SO-DIMM, DP, HDMI, LVDS, Dual-LAN, Multiple COM, 12-24V DC |

Optional Accessories

| Part Number | Description |
|----------------|------------------------------|
| 14011-03700400 | COM Port Cable, 1 Port, 28mm |
| 14013-00260000 | SATA cable with SATA power |
| 14011-03740000 | Power Button Cable with LED |
| 14011-03750000 | USB 2.0 Cable, 2 ports, 70mm |

Packing List

| Part Number | Description |
|----------------|--|
| 14013-00260000 | SATA 22P TO SATA 7P+4P 15+12CM//ASAP/L67ST107-DT-R |