

BPC-M4503D



Fanless Embedded Box PC with Intel Skylake Core i3-6100U/Kabylake i3-7100 CPU

Small, Low Voltage and Powerful

DIN Rail and Wall Mount



Features

- Ultra Low Power and Fanless Design
- DP/ HDMI output supported
- Optional Wi-Fi Connection supported
- Rugged Design for Shock/Vibration Protection
- **Wall and DIN Rail Mount**
- TPM 2.0 Header
- **4K immersive Graphics, Media Performance**

System

CPU Soldered onboard Intel 6th/7th Gen. CPU
Core i3-6100U 2,3 GHz (Skylake)
Core i3-7100U 2,4 GHz (abylake)

Memory 1 x 260-pin DDR4L SO-DIMM socket, supporting 2133/2400MHz SDRAM up to 16GB
pre-install 2GB/4GB DDR4L SO-DIMM Memory Module

Graphics Integrated Intel® HD 520 Graphic, 300~1000 MHz

LAN Chipset Intel 1x210AT and 1x219LM GbE controllers

Watchdog Timer 1~255 levels reset

I/O

Serial Port 2x COM Ports

USB Port 4 x USB 3.0 port
2 x USB 2.0 ports

LAN **2 x RJ-45 ports for GbE**

Video Port 1 x DP female connector
resolution 3840x2160 @ 60Hz

1 x HDMI port
resolution 4096x2160 @ 24Hz
resolution 3840x2160 @ 60Hz

Audio connector for Line-out(optional)

Expansion Bus 1 x mPCIe Mini-card socket, 1x mSATA

Environmental

Operating Temp. -10 ~ 60°C, ambient w/ air flow

Storage Temp. -40 ~ 85°C (-40 ~ 185°F)

Operating Humidity 10 ~ 95% @ 60°C (non-condensing)

Vibration 3 Grms/5~500Hz/random operation

Shock Operating 40G (11ms), Non-operating 60G with mSATA

Qualification

Certification Meet CE, FCC

Warranty 2 Years, Lifecycle at least 5 Years

Power Requirement

Power Input DC 12V-24V input

Power Consumption 1.82A@12V (typical w/ 6100U)

Storage

Storage 1 x mSATA socket, Optional pre-install 64GB/120GB mSATA SSD, Raid optional

Mechanical

Construction Alu Housing complete and with CPU Heat sink

Weight 0.6kg (1.32lb, Barebone)

Dimensions (W x D x H) 184.6 x 124.5 x 77mm

OS Support

Windows 7, 32-bit/64-bit and embedded (only by Skylake CPU)
Windows 8.1, 32-bit/64-bit and embedded (only by Skylake CPU)
Windows10, 32-bit/64-bit and embedded
Linux: Ubuntu

Order Information

BPC-M4503D1 Box PC with Skylake i3-6100U CPU

BPC-M4503D2 Box PC with Kaby Lake i3-7100U CPU

TRUE INDUSTRIAL

7-15 years Support | 3 years+ Warranty | Customization Option

MSI Industrial Mainboards inside

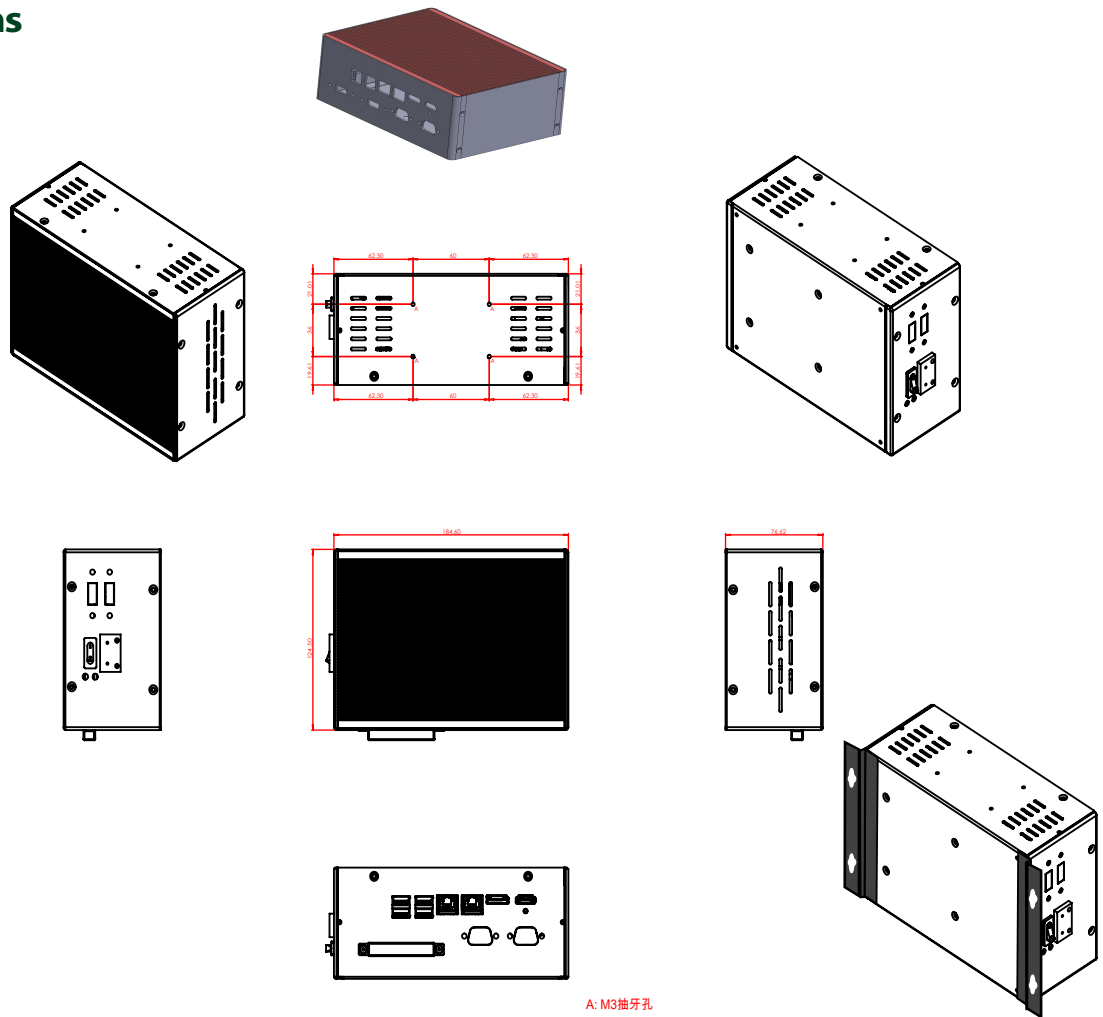
Alptech Elektronik GmbH



Zimmersmühlenweg 14-18
D-61440 Oberursel/Ts.

Tel: 06171-9799110 E-Mail: info@alptech.de
Fax: 06171-9799115 www.alptech.de

Dimensions



Standard Accessories

WMK-200 Wall-mount kit for BPC-200 Series

Optional Accessories

120 GB SSD Intel® 2.5" 120GB SATAIII SSD kit



64 GB SSD mSATA MLC 64GB



MM-4CL-4G DDR4L-2133 4GB SDRAM



MM-4CL-8G DDR4L-2133 8GB SDRAM

PAC-90W 19/24 V/ 90W AC/DC adapter kit



DRK-200 Din rail mounting kit for BPC-200 Series

