

BPC-M4300

Fanless Embedded Box PC with Intel Braswell Celeron® Quad Core N3160 CPU

Small, Low Voltage and Powerful



Features

- Ultra Low Power and Fanless Design
- DP/ HDMI output supported
- Optional Wi-Fi Connection supported
- Rugged Design for Shock/Vibration Protection
- Easy Installation/Maintenance
- TPM 2.0 Header

System

CPU Soldered onboard Intel® Celeron® Braswell N 3160 quad-core 1.6 ~ 2,24 GHz

Memory 1 x 204-pin DDR3L SO-DIMM socket, supporting 1600MHz SDRAM up to 8GB
pre-install 2GB/4GB DDR3L SO-DIMM Memory Module

Graphics Integrated Intel® HD 400 Graphic

LAN Chipset Realtek RL8111G GbE controllers

Watchdog Timer 1~255 levels reset

I/O

Serial Port only optional

USB Port 4 x USB 3.0 port
2 x USB 2.0 ports

LAN 2 x RJ-45 ports for GbE

Video Port 1 x DP female connector
resolution 2560x1600 @ 60Hz
resolution 3840x2160 @ 30Hz
1 x HDMI port
resolution 2560x1600 @ 60Hz
resolution 3840x2160 @ 30Hz

Audio connector for Line-out / Line-in

Expansion Bus 1 x Mini-card socket, 1x mSATA

Environmental

Operating Temp. -10 ~ 60°C, ambient w/ air flow

Storage Temp. -40 ~ 85°C (-40 ~ 185°F)

Operating Humidity 10 ~ 95% @ 60°C (non-condensing)

Vibration 3 Grms/5~500Hz/random operation

Shock Operating 40G (11ms), Non-operating 60G with mSATA

Qualification

Certification Meet CE, FCC

Warranty 2 Years, Lifecycle at least 5 Years

Power Requirement

Power Input DC 9V-36V input

Power Consumption 0.77A@12V (typical w/ N3160)

Storage

Storage 1 x mSATA socket, Optional pre-install 64GB/32GB mSATA SSD

Mechanical

Construction Alu Housing complete and with CPU Heat sink

Weight 0.6kg (1.32lb, Barebone)

Dimensions (W x D x H) 172 x 158 x 45mm

OS Support

Windows 7, 32-bit/64-bit and embedded
Windows 8.1, 32-bit/64-bit and embedded
Windows10, 32-bit/64-bit and embedded
Linux: Ubuntu

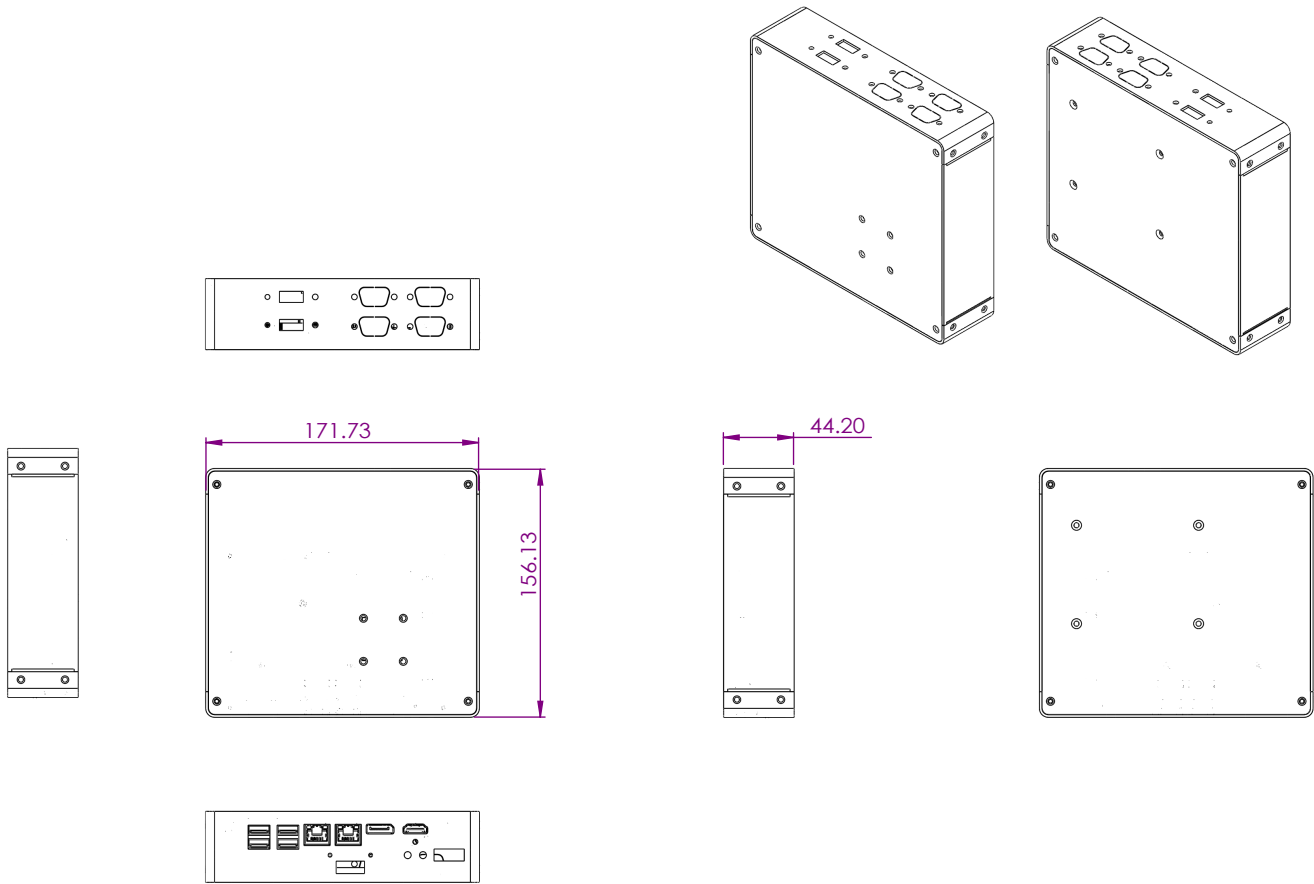


Zimmersmühlenweg 14-18
D-61440 Oberursel/Ts.

Tel: 06171-9799110 E-Mail: info@alptech.de
Fax: 06171-9799115 www.alptech.de

Alptech Elektronik GmbH

Dimensions



Standard Accessories

WMK Wall-mount kit for BPC

Optional Configuration (CTOS* Kit)

WiFi-AT2200 Atheros AR9462 Wi-Fi module w/ 15cm internal wiring

ANT-D11 1 x Wi-Fi Dual-band 2.4G/5G antenna

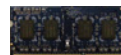
4GB SO-DIMM DDR3L-1600 4GB SO-DIMM Memory module

8GB SO-DIMM DDR3L-1600 8GB SO-DIMM Memory module

64GB SSD mSATA MLC 64 GB

120GB SSD mSATA MLC 120 GB

Power Adaptor 12VDC, 5A, 60W, AC/DC Adaptor with power cord



*CTOS means Configure-to-Order Service.