

BPC-300-F7703 (2x PCI)



Robust Box PC with Intel® Sandy Bridge / Ivy Bridge Platform



Features



- **Fanless Design**
- Wide Range DC Power Input (9 ~36V)
- 2 x Series port with 5V power output
- Support iAMT function (Optional)
- Support Various Video Interfaces (DVI-I + DVI-D)
- Support Optional WiFi or HSUPA Wireless Connectivity
- Rugged Design for Shock/Vibration Protection
- Memory support up to 16GB(DDR3)
- Intel Raid Supported
- Intel® SSD compatible

System

| | |
|-----------------------|--|
| CPU | Intel® Sandy Bridge/ Ivy Bridge rPGA988 (Socket G2/G3) |
| Memory | 2 x 204-pin DDR3 SO-DIMM Sockets up to 16GB at 1333/1600MHz |
| Chipset | Intel® QM77 |
| Graphics | Integrated Intel® HD 4000 |
| ATA | 2 x SATA3 6 Mb/s(600MB/s) HDD transfer rate, Raid 0+1 2 x eSATA |
| LAN Chipset | 2 x Intel® WG82583V Gigabit Ethernet controllers 1 x Intel® WG82579LM Gigabit Ethernet controller |
| Watchdog Timer | 1~255 levels reset |

I/O

| | |
|------------------------|---|
| | 1 x DB-44 male connector |
| Serial Port | COM1/2 are RS-232 w/5v power output COM3/4 are RS-232/422/485 Selectable, w/2.5kv isolation protection |
| USB Port | 6 x USB 2.0 ports, 4 x USB 3.0 ports 2 x internal USB dongle for software license key(F7701/02) |
| LAN | 3 x RJ-45 ports for Gigabit Ethernet |
| Video Port | 1 x DVI-I female connector for Digital/Analog Video output 1 x DVI-D female connector for Digital Video output |
| Selectable Port | 1 x DB25 connector for 1 x DIO (8 x IN, 8 x OUT) port or 1 x LPT/PIO port (either one) DIO by default, which can be changed to LPT |
| Audio | Mic-in/Line-out |
| Expansion Bus | 1 x Mini-card slot interconnector with SIM card socket for optional WiFi or HSUPA module 1 x SIM socket/1 x CFAST socket (outside accessible) 2 x PCI slots |

Environmental

| | |
|--------------------------|--|
| Operating Temp. | -20 ~ 55°C (-4 ~ 131°F), ambient w/ air flow |
| Storage Temp. | -40 ~ 85°C (-40 ~ 185°F) |
| Relative Humidity | 10 ~ 95% @ 40°C (non-condensing) |
| Vibration | 3 Grms/5~500Hz/random operation w/ SSD |

Shock

| | |
|-----------|--|
| Operating | 20G (11ms), Non-operating 40G with HDD |
| Operating | 50G (11ms), Non-operating 80G with SSD |
| Crash | 100G, 11ms |

Qualification

| | |
|----------------------|-----------------|
| Certification | CE, FCC Class A |
|----------------------|-----------------|

Power Requirement

| | |
|--------------------------|--|
| Power Input | DC 9~36V input w/ 4-pin terminal block |
| Power Consumption | 3.51A/19V, 67W (i7 Quad-core) |

Storage

| | |
|-------------|---|
| | 1 x 2.5" drive bay for F7700 |
| Type | 2 x 2.5" drive bays for F7703 1 x CFAST Socket |

Mechanical

| | |
|-------------------------------|--|
| Construction | Aluminum alloy |
| Mounting | Support wall-mounting |
| Weight | 7 kg (15.43 lb) |
| Dimensions (W x D x H) | 225 x 267 x 90 mm (F7700) 225 x 267 x 120 mm (F7701/02) |

Ordering Information

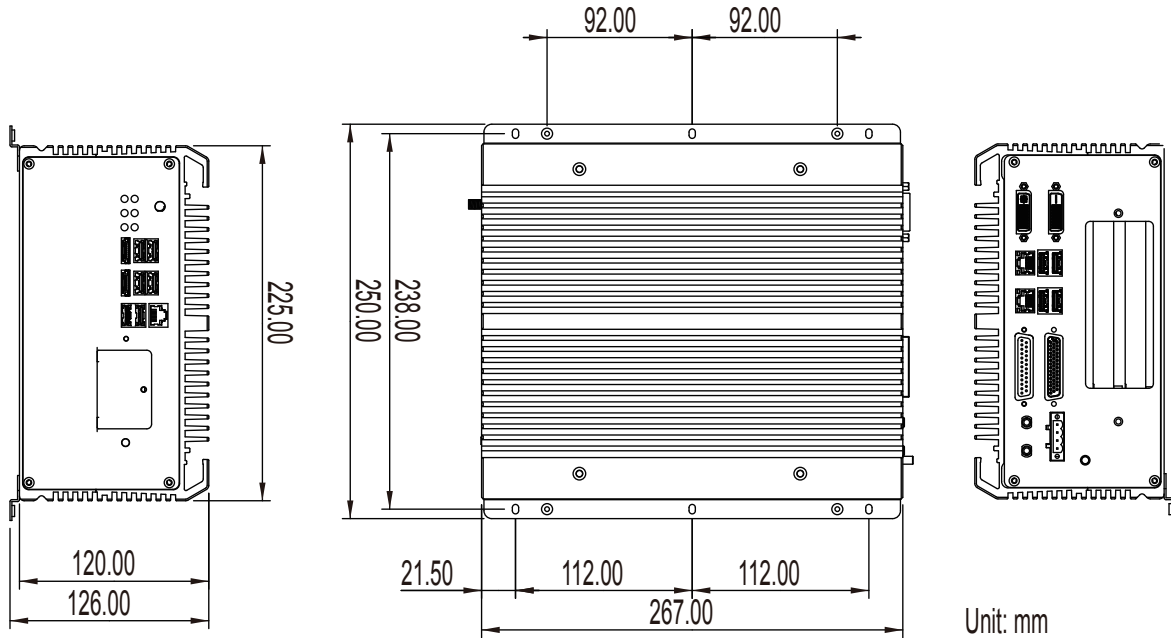
| | |
|--------------|---|
| F7700 | Fan-less system w/o expansion |
| F7701 | Fan-less system w/ 1 x PCI + 1 x PCIe16 |
| F7703 | Fan-less system w/ 2 x PCI 32 Bits |



» Fanless Design



Dimensions



Optional Accessories

PAC-B120W-FSP
120W AC/DC adapter kit



Power Input 100 ~ 240 VAC

Power Output 19VDC, 6.32A, 120W

CBL-7100-COM
COM converter cable



External I/O 4 x COM Ports

Length 20 cm

WMK-7000
Wall-mount kit for FPC-7XXX Series



Material SPCC+Ni

Dimensions (W x D x H) 264 x 28.5 x 6 mm
(10.39" x 1.12" x 0.23")

Optional Configuration (CTOS* Kit)

SSD (Intel or Samsung or Industrie)
2.5" SATAII SSD kit



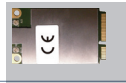
Brand/Type Intel / 2.5 inch

Interface SATAII

Capacity

Dimensions (W x D x H) 100.45 x 69.85 x 9.5 mm
(3.95" x 2.75" x 0.37")

HSPA-SI1400



HSUPA 3.75G module kit & internal wiring

WIFI-IN1300



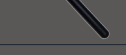
Intel® Centrino® Advanced-N 6205 WiFi module w/ 20cm internal wiring

ANT-H11



1 x 2dBi HSUPA antenna

ANT-D11



1 x WiFi Dual-band 2.4G/5G antenna

*CTOS means Configure to Order Service.
All specifications are subject to change without notice.