



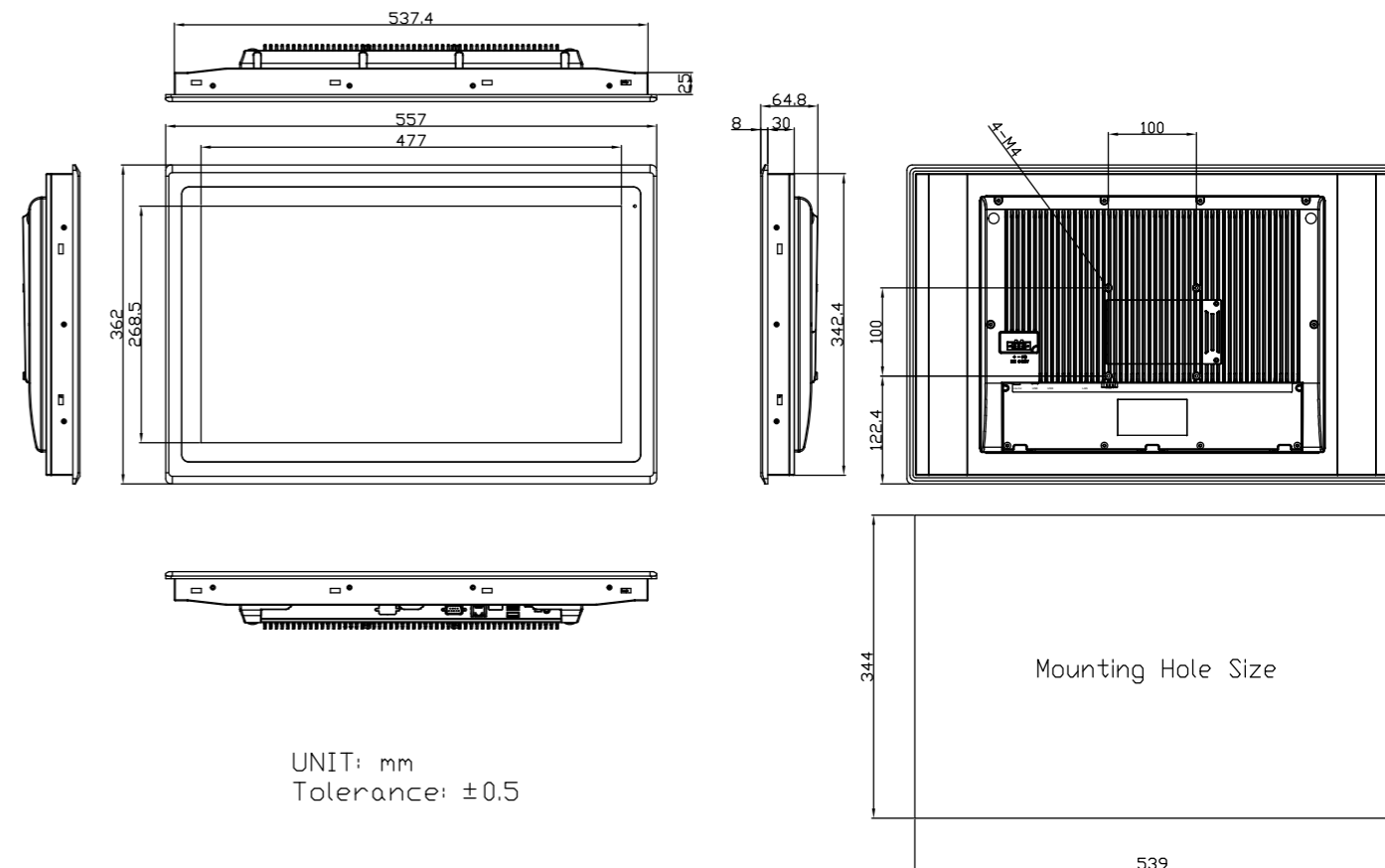
## Features

- ARM Based HMI
- Fanless design
- Flat front panel touch screen
- Freescale i.MX6 DualLite ARM Cortex A9 processor
- Onboard 1GB DDR3 DRAM
- Onboard 4GB eMMC Flash
- DC 9~36V wide-ranging power input
- LED backlight LCD
- Resistive touch window/Projected capacitive touch

## Specifications

System	
CPU	Freescale i.MX6 Dual Lite, ARM Cortex A9(2x Cores, 1.0GHz)
System Chipset	NA
Memory	Onboard 1GB DDR3 SDRAM
External IO Port	
USB	2 x USB 2.0 type A 1 x USB 2.0 (Micro B Type)
Serial / Parallel	1 x RS-232/422/485 DB9 , default RS-232
LAN	1 x GbE LAN RJ-45
Audio	1 x Speaker-out(Optional)
Power	1 x 3-pin terminal block connector
Option	TB-508CAN1 CAN-Bus Module TB-508C1 Module 1x RS-232/422/485
Storage Space	
HDD	Onboard 4GB eMMC NAND Flash
Movable device	1 x micro SD slot
Expansion	
Onboard expansion bus	1 x mini-PCIe slot(full size) 1 x Sim Card slot
Display	
Display Type	21.5" TFT-LCD
Max. Resolution	1920 x 1080
Max. Color	16.7M
Luminance (cd/m <sup>2</sup> )	300
View Angle	178(H) / 178(V)
Contrast	3000:1
Backlight Lifetime	30,000 hrs
Touch Screen	
Type	Resistive Touch (For R model) Projected Capacitive Touch (For P model)
Interface	SPI(Resistive Touch) / USB(Projected Capacitive Touch)
Light Transmission(%)	Resistive Touch : 80% / Projected Capacitive : 90%
Power	
Power Input	DC 12~36V
Power Consumption	ARMPAC-621P: 20W

## Dimensions



Mechanical	
Construction	Aluminum die-casting Chassis
Mounting	Panel Mount , VESA mount 100x100
IP Rating	IP66 compliant front bezel
Dimensions	557 x 362 x 64.8 mm
Net Weight	7.5 kg

Environmental	
Operating Temperature	0~50°C
Storage Temperature	-30~70°C
Storage Humidity	10 to 90% @ 40°C, non- condensing
Certificate	CE/FCC Class A/UL

Operating System Support	
Android 6.0.1 / Linux 4.1.15	

Ordering Information	
ARMPAC-621	21.5" FHD fanless HMI barebone with Freescale i.MX6 DualLite ARM Cortex A9,1GB DDR3 RAM,4GB eMMC, Resistive touch, 9~36VDC input with adapter, plastic chassis.
ARMPAC-621P	21.5" FHD fanless HMI barebone with Freescale i.MX6 DualLite ARM Cortex A9,1GB DDR3 RAM,4GB eMMC, Projected capacitive touch, 9~36VDC input with adapter, plastic chassis

