



Features /

- 15" New Generation Stainless Steel Display
- True Flat Front Bezel Design and Grade 304 Stainless Steel Enclosure (Grade 316 for Option)
- IP66/IP69K Rated with M12 Connectors
- Support Resistive Touch, Projected Capacitive Touch, and Glass
- Touch on/off Button on the Side Edge for Hygienic Cleaning
- Support Ergonomic Versatile Mounting: Yoke Mounting / Space-saving VESA 75 mm Mounting

Specifications /

IO Port	
VGA	1 x M12 12-pin for VGA with waterproof cover and chain
HDMI	1 x M12 HDMI with waterproof cover and chain
Speaker	1 x 2W IP65 speaker (option)
OSD Control Membrane	OSD on the rear side
Power Connector	1 x M12 3-pin for DC power with waterproof cover and chain

Display	Standard	High Brightness Optional
Display Type	15" TFT-LCD	15" TFT-LCD
Max. Resolution	1024 x 768	1024 x 768
Max. Color	16.7M	16.2M
Luminance (cd/m ²)	450	1000
View Angle	160(H) /160(V)	160(H) /160(V)
Contrast	700:1	800:1
Backlight Lifetime	50,000 hrs	30,000 hrs
Option	Optical Bonding	Optical Bonding

Touch Screen	
Type	Resistive Touch (For R model) Projected Capacitive Touch (For P model) Glass (For G model)
Interface	USB
Light Transmission(%)	Resistive Touch : 80% / Projected Capacitive : 90%

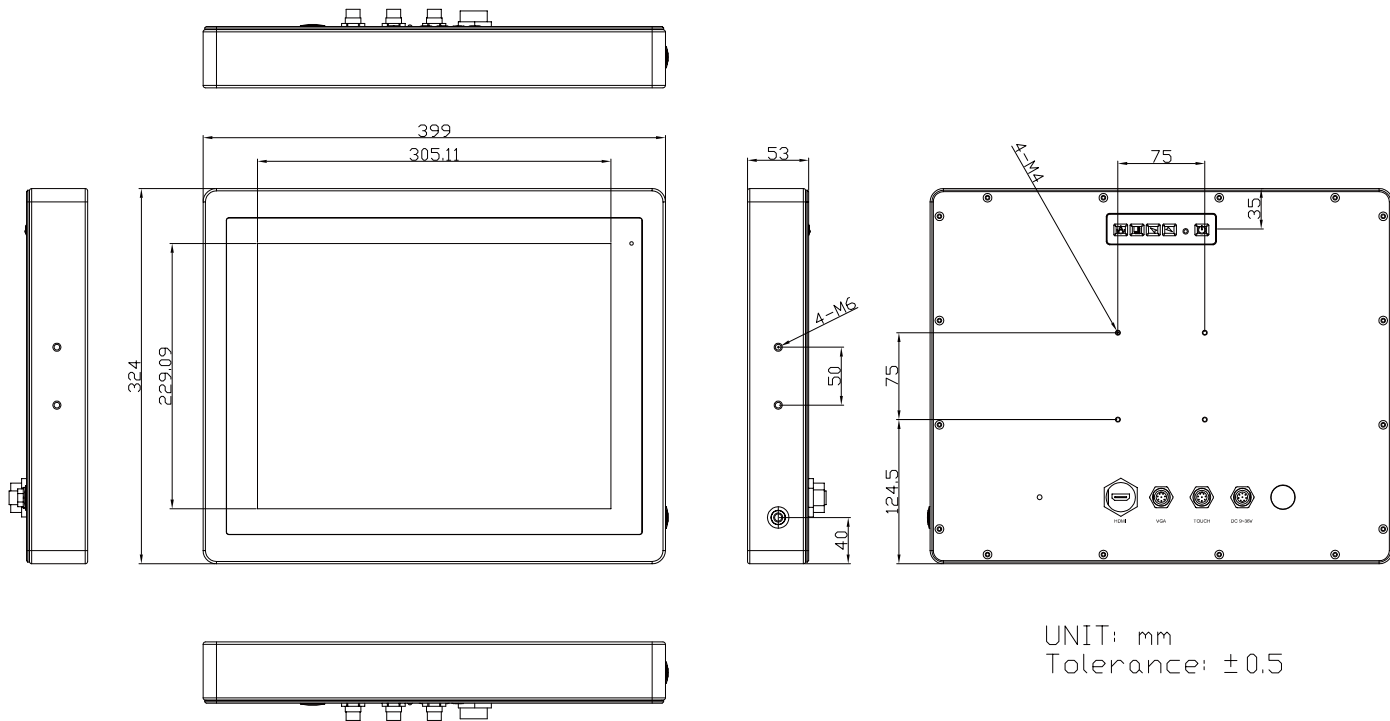
Power	
Power Input	DC 9~36V
Power Consumption	ViTAM-115P: 9.2W ViTAM-115PH: 16.7W

Mechanical	
Construction	304 Stainless steel chassis(default), 316 Stainless steel chassis(optional)
Mounting	VESA Mount 75 x 75, Yoke mount (option)
IP Rating	Total IP66/IP69K
Dimensions	339 x 324 x 53 mm
Net Weight	6.5 kg



ADP-VT115

● Dimensions



UNIT: mm
Tolerance: ± 0.5

Environmental

Operating temperature(°C)	-20~60°C
Storage temperature(°C)	-30°C~70°C
Storage humidity	10 to 90% @ 40°C, non-condensing
Certification	CE/FCC class A

Ordering information

VT-115P	15"/1024x768/S.S./V/PCT(USB)/9~36V/w ADP
VT-115R	15"/1024x768/S.S./V/RT(USB)/9~36V/w ADP
VT-115G	15"/1024x768/S.S./V/GLASS/9~36V/w ADP