

# ADP-12G

## IP 65 Front Frame



### DESCRIPTION

The ADP- 12 features an excellent viewing ability for monitoring and control applications.

It is available with resistive touch screen that is easy to use and maintain.

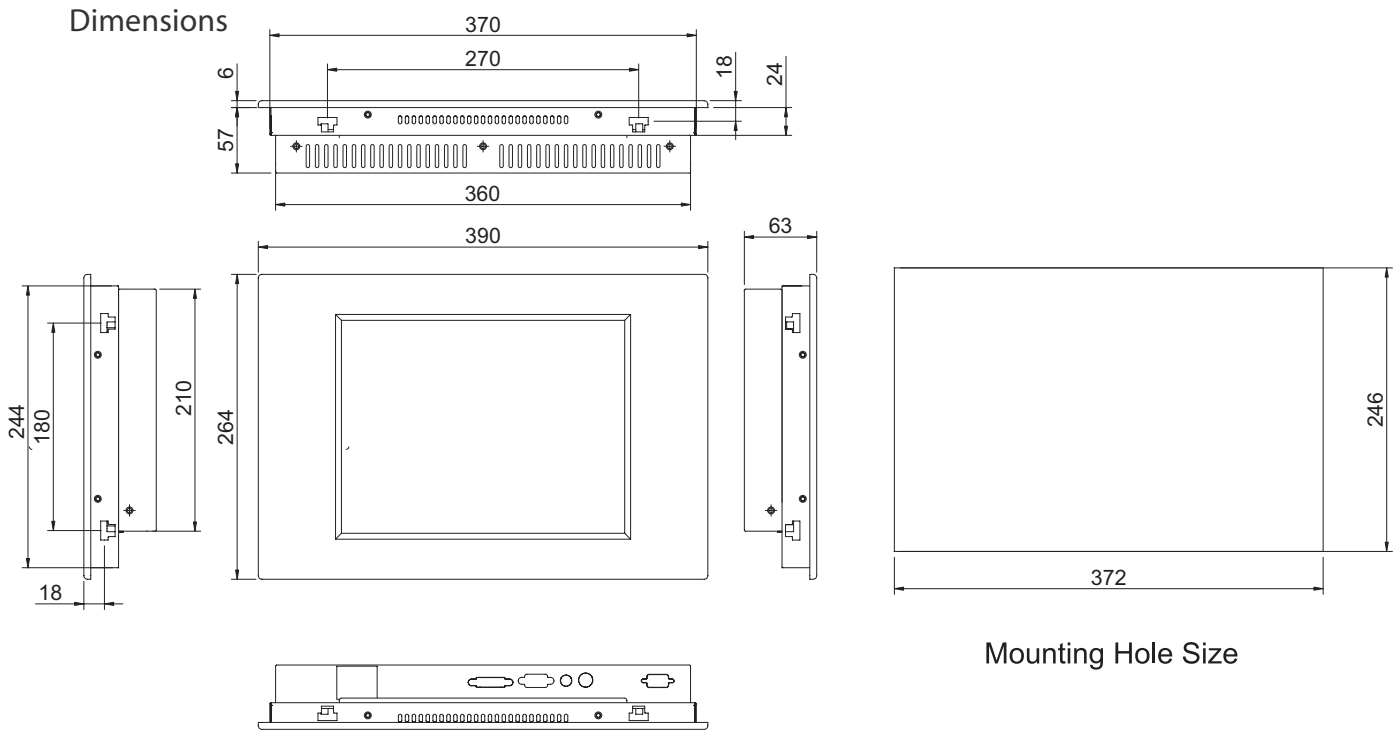
The front panel of the display monitor is sealed with gasket for NEMA 4/IP 65 rating when it is panel-mounted in a NEMA rated cabinet or enclosure.

### FEATURES

- 12 " SVGA color TFT LCD display
- Heavy-duty steel chassis
- Metall front panel is IP65-certified.
- OSD on the rear side
- Analog resistive touch screen ( optional )
- Analog RGB signal direct input offering
- multi-scan function
- Composite , S-Video ( optional )



# ADP-12G



## Display Specifications

Display	12.1" Color Active TFT Flat Panel Display
Luminance	300 cd/m <sup>2</sup>
Viewing Angle	120/95 degrees (H/V)
Resolutions	800 x 600 ( native mode), 262K colors ( XGA, 1024x 768, optional )
Backlight Life	50,000 hrs
Touch Screen Description	Resistive antiglare ( optional )
OSD Controls/Indicators	Automatic Screen, Setup (OSD), Brightness, Contrast, Horizontal/Vertical Position Image Lock, Color Balance, Video Information, Power On and Sync Detection
Power Input	Default 12V/DC Input , optional 12~24V/DC Input Power Adapter 100~240V/AC , 50~60Hz , 1.5A (max.)

## Mechanical Specifications

Construction	Heavy-duty steel chassis with Metall front bezel
Dimensions	390 (W) x 264 (H) x 63. mm (D)
Dimensions Cutout (W x H)	372 (W) x 246mm(H)
Mounting Options	Panel Mount/VESA Mount

## Environment Specifications

Operating Temperature	0~45°C(32~113°F)
Storage Temperature	-20~60°C (-4~140°F)
Relative Humidity	10~95% @40°C Non-condensing
Vibration	1G peak, 10~150Hz, 0.15mm 10 cycles
Shock	30G peak acceleration (11 msec. duration)
Ratings	NEMA 4/IP65
Certifications	CE, FCC Class A